

Seaseng Inc.
2019 Business Parkway
Ontaris, CA 91761

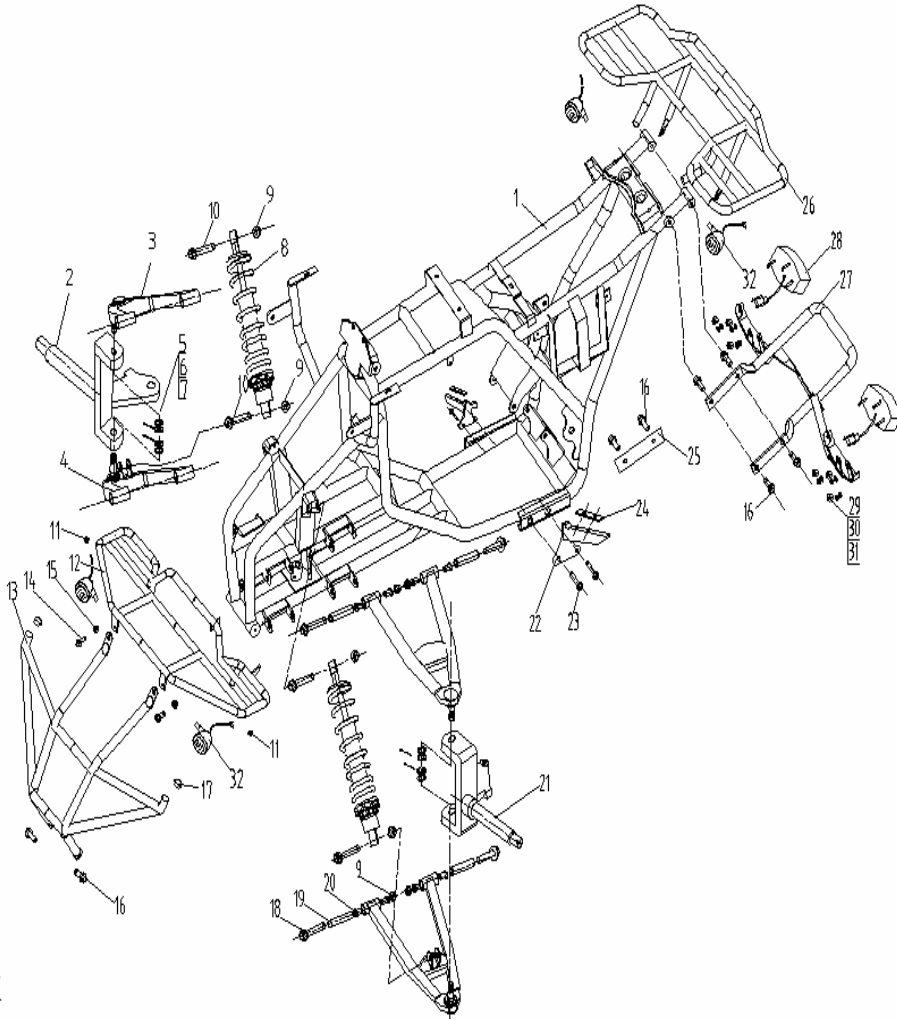
Parts Catalog
Frame Assembly
ATV85(GA013-5)

ATV DI IAGRAM AMNUAL PARTS CATALOG



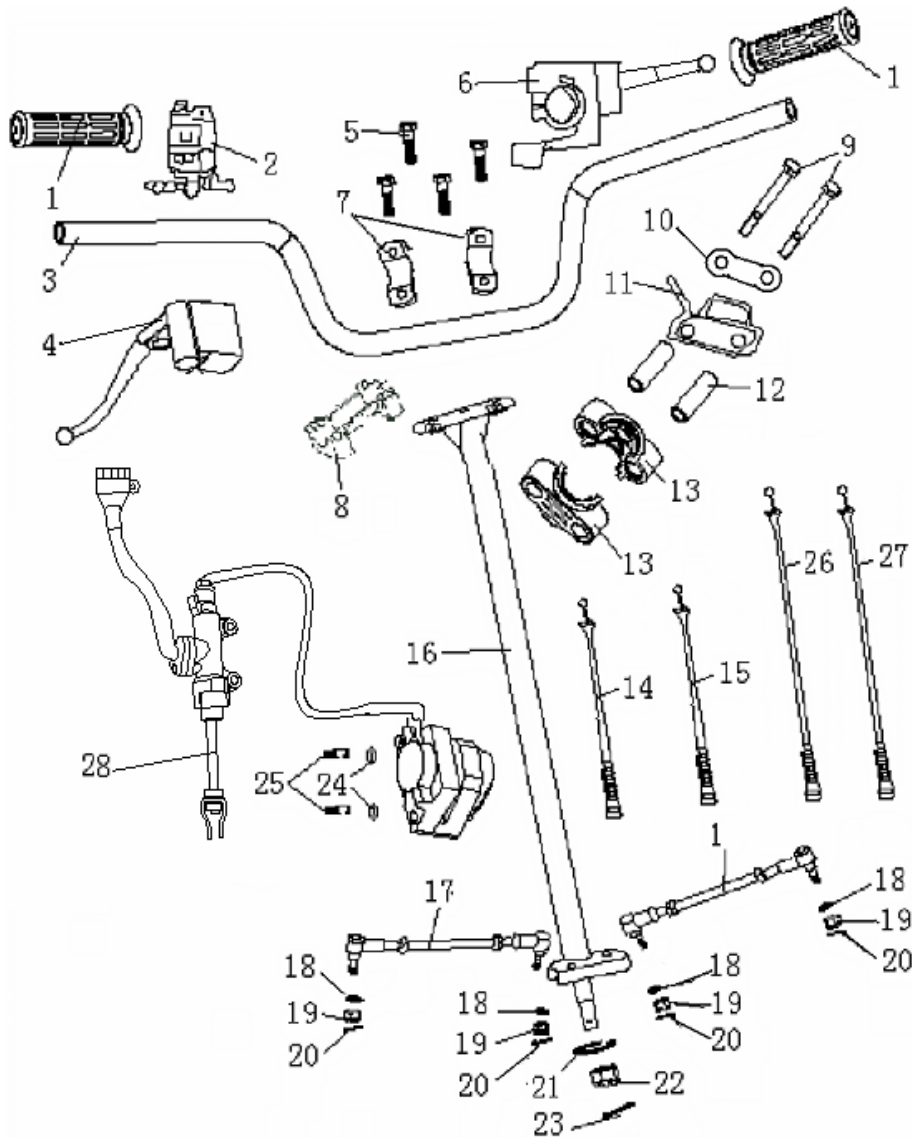
Copyright 2007 Seaseng Inc.

1 CHASSIS



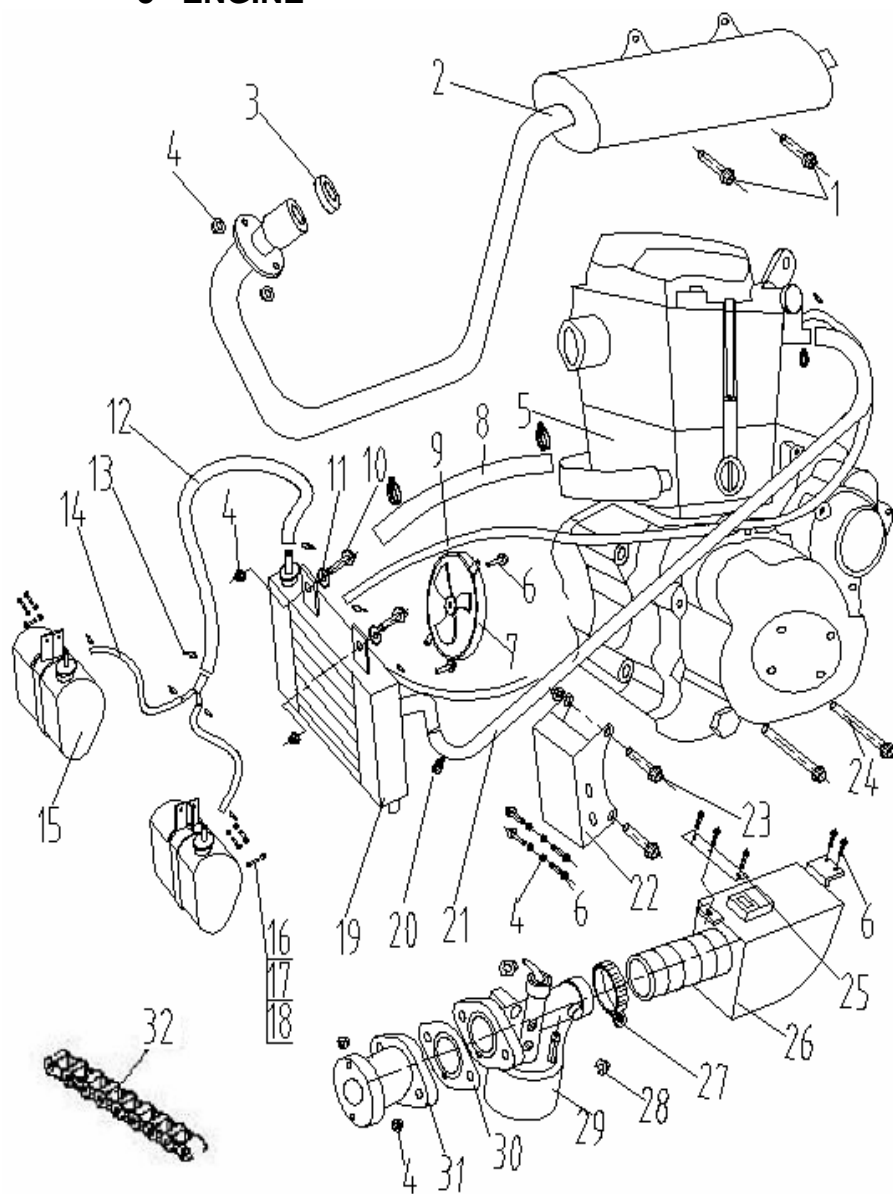
| REF. No. | PART No. | DESCRIPTION | Q'TY |
|------------|---------------|-----------------------------------|------|
| ATV85-1-1 | MDL135-120000 | Frame Comp. | 1 |
| ATV85-1-2 | MDL131-531000 | Steering Knuckle Pin (R) | 1 |
| ATV85-1-3 | MDL131-141100 | Upper Rocker Pin | 2 |
| ATV85-1-4 | MDL131-141200 | Lower Rocker Pin | 2 |
| ATV85-1-5 | 989300-140000 | Washer | 4 |
| ATV85-1-6 | 929457-142000 | Slotted Nut | 4 |
| ATV85-1-7 | 909100-250025 | Cotter Pin | 4 |
| ATV85-1-8 | MDL131-540000 | Front Shock Absorber (may choose) | 2 |
| ATV85-1-9 | 926187-101000 | Flange Nut | 12 |
| ATV85-1-10 | 915789-101045 | Flange Bolt | 4 |
| ATV85-1-11 | 926187-060000 | Flange Nut | 2 |
| ATV85-1-12 | MDL131-181000 | Front shelf | 1 |
| ATV85-1-13 | MDL131-170000 | Bumper (may choose) | 1 |
| ATV85-1-14 | 915789-080020 | Flange Bolt | 2 |
| ATV85-1-15 | 926187-080000 | Flange Nut | 2 |
| ATV85-1-16 | 915789-080016 | Flange Bolt | 6 |
| ATV85-1-17 | MDL131-861000 | Stem | 2 |
| ATV85-1-18 | 915789-101080 | Flange Bolt | 8 |
| ATV85-1-19 | MDL131-141110 | Fork Axle Sheath | 8 |
| ATV85-1-20 | MDL131-141120 | Brace covering | 16 |
| ATV85-1-21 | MDL131-532000 | Steering Knuckle Pin (L) | 1 |
| ATV85-1-22 | MDL131-160000 | Pedal brace | 2 |
| ATV85-1-23 | 915789-121025 | Flange Bolt | 4 |
| ATV85-1-24 | MDL131-862000 | Rubber washer | 2 |
| ATV85-1-25 | MDL131-641000 | Battery Plank | 1 |
| ATV85-1-26 | MDL131-182000 | Rear shelf | 1 |
| ATV85-1-27 | MDL131-150000 | Rear light shelf | 1 |
| ATV85-1-28 | MDL131-622000 | Rear light | 2 |
| ATV85-1-29 | MDL131-860618 | Rubber Washer | 9 |
| ATV85-1-30 | 989300-060000 | Washer | 6 |
| ATV85-1-31 | 926170-060000 | Bolt | 6 |
| ATV85-1-32 | MDL131-623000 | Turn light (may choose) | 2 |

2 STEERONG PARTS



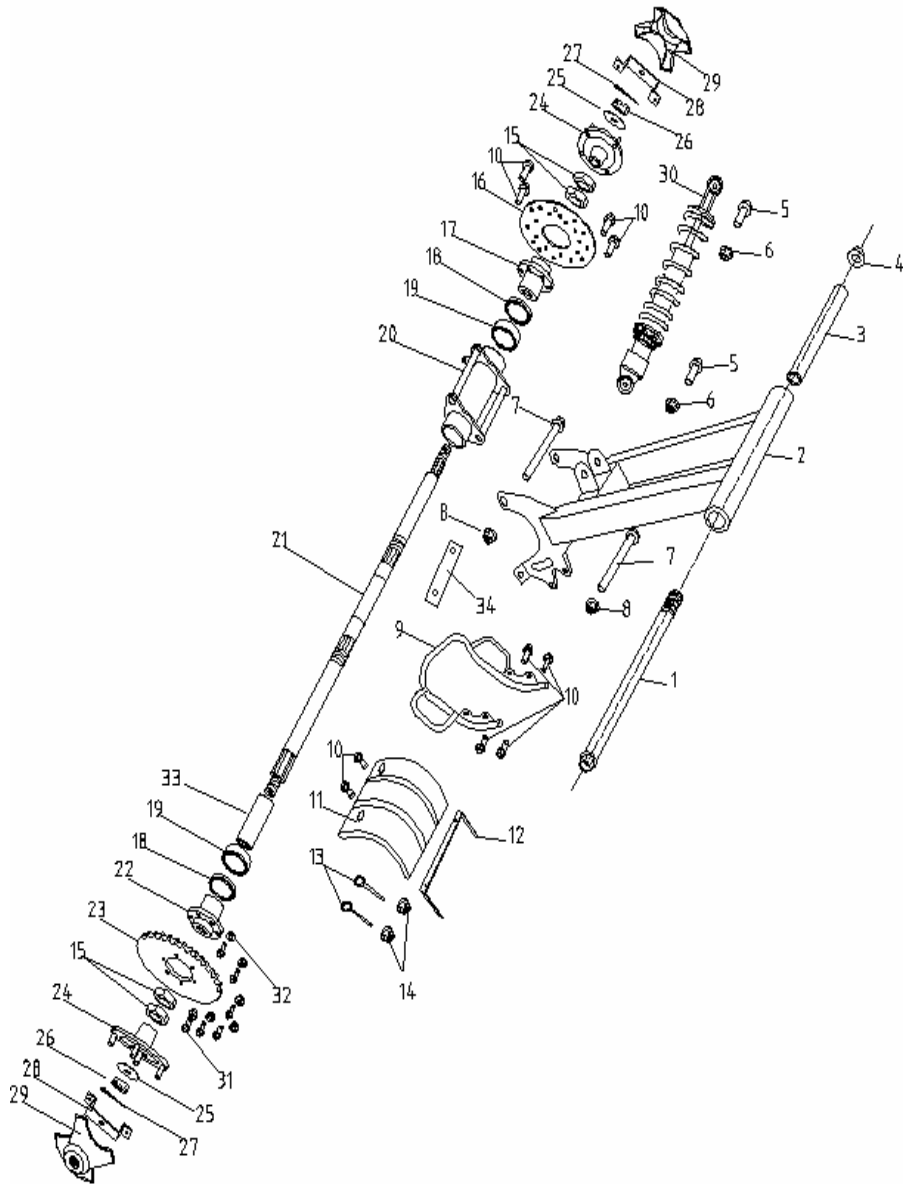
| REF. No. | PART NO. | DESCRIPTION | Q'TY |
|------------|---------------|----------------------------|------|
| ATV85-2-1 | MDL131-572000 | Flange Bar Cap. | 2 |
| ATV85-2-2 | MDL131-637000 | Starter Switch | 1 |
| ATV85-2-3 | MDL131-571000 | Flandle Bar | 1 |
| ATV85-2-4 | MDL133-562000 | Clutch handle | 1 |
| ATV85-2-5 | 915789-080050 | Bolt | 4 |
| ATV85-2-6 | MDL131-231000 | Throttle Switch | 1 |
| ATV85-2-7 | MDL131-571100 | Handlebar Clamp Top | 2 |
| ATV85-2-8 | MDL131-571200 | Handlebar Clamp Bottom | 1 |
| ATV85-2-9 | 915782-080060 | Bolt | 2 |
| ATV85-2-10 | MDL131-572400 | Stanch flske | 1 |
| ATV85-2-11 | MDL131-572300 | Wire Clamp | 1 |
| ATV85-2-12 | MDL131-572200 | Sleeve Bush | 2 |
| ATV85-2-13 | MDL131-572100 | Rubber Clamp | 2 |
| ATV85-2-14 | MDL131-581000 | Throttle Cable | 1 |
| ATV85-2-15 | MDL131-582000 | Choke Cable | 1 |
| ATV85-2-16 | MDL131-130000 | Steering Shaft Assy | 1 |
| ATV85-2-17 | MDL131-576000 | Steering Tie-rod | 2 |
| ATV85-2-18 | 989300-100000 | Washer | 4 |
| ATV85-2-19 | 929457-101000 | Slotted Nut | 4 |
| ATV85-2-20 | 909100-250025 | Cotter Pin | 4 |
| ATV85-2-21 | 989710-100000 | Washer | 1 |
| ATV85-2-22 | 926187-101000 | Flange Nut | 1 |
| ATV85-2-23 | 909100-250025 | Cotter Pin | 1 |
| ATV85-2-24 | 989300-080000 | Washer | 2 |
| ATV85-2-25 | 915789-080030 | Flange Bolt | 2 |
| ATV85-2-26 | MDL133-583000 | Front Braking System Cable | 2 |
| ATV85-2-27 | MDL133-584000 | Clutch Cable | 1 |
| ATV85-2-28 | MDL133-561000 | Braking System | 1 |

3 ENGINE



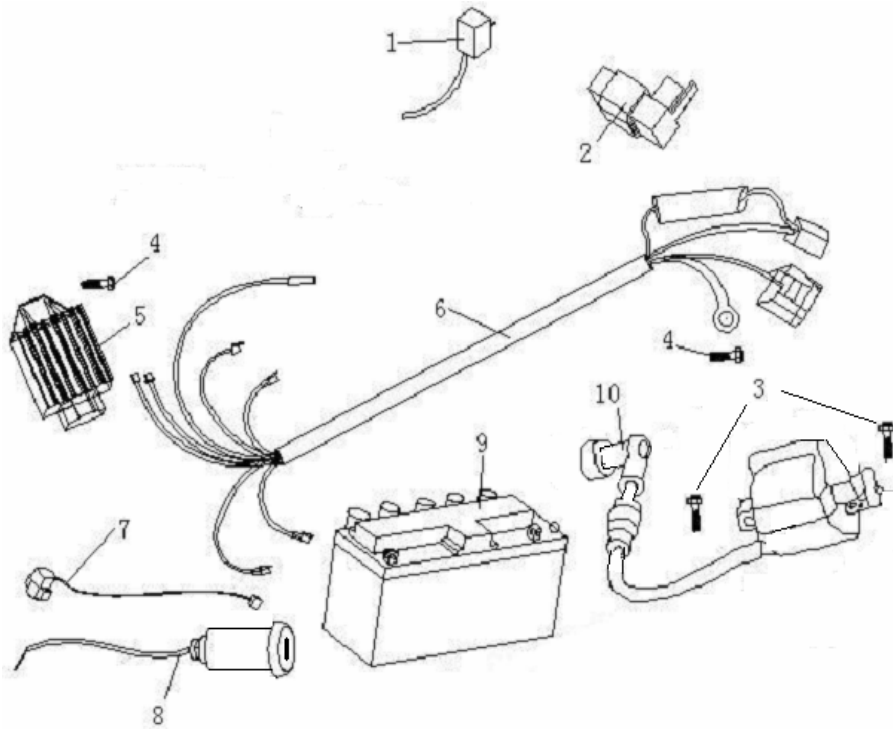
| REF. No. | PART No. | DESCRIPTION | Q'TY |
|------------|---------------|-------------------------------|------|
| ATV85-3-1 | 915789-080025 | Flange Bolt | 2 |
| ATV85-3-2 | MDL135-311000 | Exhaust Pipe | 1 |
| ATV85-3-3 | MDL131-312000 | Exhaust Sealing | 1 |
| ATV85-3-4 | 926187-060000 | Flange Lock Nut | 4 |
| ATV85-3-5 | MDL135-200000 | Engine | 1 |
| ATV85-3-6 | 915789-060016 | Bolt | 9 |
| ATV85-3-7 | MDL135-271200 | Fan | 1 |
| ATV85-3-8 | MDL135-272100 | Pipe | 1 |
| ATV85-3-9 | MDL135-272300 | Pipe | 1 |
| ATV85-3-10 | 915789-060020 | Bolt | 4 |
| ATV85-3-11 | MDL131-860618 | Rubber Washer | 4 |
| ATV85-3-12 | MDL135-272400 | Pipe | 1 |
| ATV85-3-13 | MDL131-760085 | Hose Clamp | 8 |
| ATV85-3-14 | MDL135-272500 | Pipe | 1 |
| ATV85-3-15 | MDL135-273000 | Water Bottle | 2 |
| ATV85-3-16 | 908230-060016 | Bolt | 6 |
| ATV85-3-17 | 989710-060000 | Washer | 4 |
| ATV85-3-18 | 926171-060000 | Nut | 2 |
| ATV85-3-19 | MDL135-271100 | Water Tank | 1 |
| ATV85-3-20 | MDL135-760016 | Hose Clamp | 4 |
| ATV85-3-21 | MDL135-272200 | Pipe | 1 |
| ATV85-3-22 | MDL135-152000 | Engine Complete/Connect Shelf | 1 |
| ATV85-3-23 | 915789-080090 | Bolt | 2 |
| ATV85-3-24 | 915789-080115 | Bolt | 2 |
| ATV85-3-25 | MDL135-153000 | Air-cleaner plate | 1 |
| ATV85-3-26 | MDL135-321000 | Air-cleaner | 1 |
| ATV85-3-27 | MDL135-322000 | Air-cleaner Clamp | 1 |
| ATV85-3-28 | 926187-060000 | Nut | 2 |
| ATV85-3-29 | MDL135-281000 | Carburetor | 1 |
| ATV85-3-30 | MDL135-231000 | Bakelite Washer | 1 |
| ATV85-3-31 | MDL135-232000 | Joint Carburetor | 1 |
| ATV85-3-32 | 530-1-90 | Chain | 1 |

4 AXLE



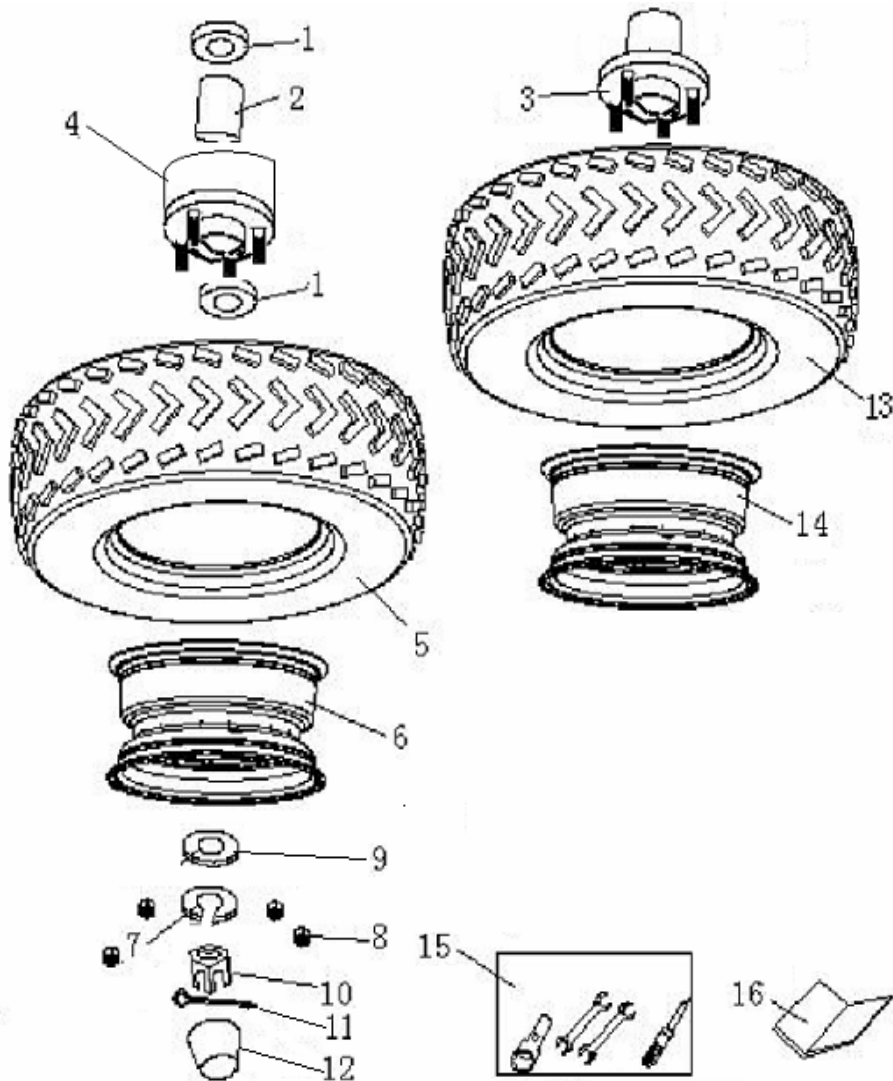
| REF. No. | PART NO. | DESCRIPTION | Q'TY |
|------------|---------------|------------------------------------|------|
| ATV85-4-1 | 915789-142280 | Rear Axle | 1 |
| ATV85-4-2 | MDL131-191000 | Rear Fork | 1 |
| ATV85-4-3 | MDL131-192000 | Bush | 1 |
| ATV85-4-4 | 926187-142000 | Flange Lock Nut | 1 |
| ATV85-4-5 | 915789-101050 | Flange Bolt | 2 |
| ATV85-4-6 | 926187-101000 | Flange Lock Nut | 2 |
| ATV85-4-7 | 915789-121160 | Flange Bolt | 2 |
| ATV85-4-8 | 926187-121000 | Flange Lock Nut | 2 |
| ATV85-4-9 | MDL131-193000 | Drive Sprocket Shield (Lower) | 1 |
| ATV85-4-10 | 915789-080016 | Flange Bolt | 10 |
| ATV85-4-11 | MDL131-194100 | Drive Sprocket Shield (Higher) | 1 |
| ATV85-4-12 | MDL131-194200 | Bracket | 1 |
| ATV85-4-13 | MDL131-195090 | Adjust Bolt | 2 |
| ATV85-4-14 | 928891-080000 | Lock Nut | 2 |
| ATV85-4-15 | 926170-332000 | Nut | 4 |
| ATV85-4-16 | MDL131-562100 | Disc Brake | 1 |
| ATV85-4-17 | MDL131-562200 | Disc Brake Seat | 1 |
| ATV85-4-18 | 13871-624507 | Oil Seal | 2 |
| ATV85-4-19 | 942760-6007RS | Bearing Ball DBL Seal | 2 |
| ATV85-4-20 | MDL131-462100 | Rear Axle Block | 1 |
| ATV85-4-21 | MDL131-461000 | Rear Axle | 1 |
| ATV85-4-22 | MDL131-472000 | Drive Sprocket Seat | 1 |
| ATV85-4-23 | MDL131-471000 | Drive Sprocket | 1 |
| ATV85-4-24 | MDL131-523000 | Rear Rim Seat | 2 |
| ATV85-4-25 | 989710-204804 | Washer | 2 |
| ATV85-4-26 | 929457-202000 | Slotted Nut | 2 |
| ATV85-4-27 | 909100-350040 | Cotter Pin | 2 |
| ATV85-4-28 | MDL131-524000 | Dust Cover Seat | 2 |
| ATV85-4-29 | MDL131-525000 | Dust Cover | 2 |
| ATV85-4-30 | MDL131-550000 | Rear Shock Absorber (may choose) | 1 |
| ATV85-4-31 | 915789-080030 | Flange Bolt | 6 |
| ATV85-4-32 | 926187-080000 | Flange Lock Nut | 6 |
| ATV85-4-33 | MDL131-462200 | Rear Axle Bush | 1 |
| ATV85-4-34 | MDL131-196000 | Rear plate | 1 |

5 ELECTRIC HARDBESS



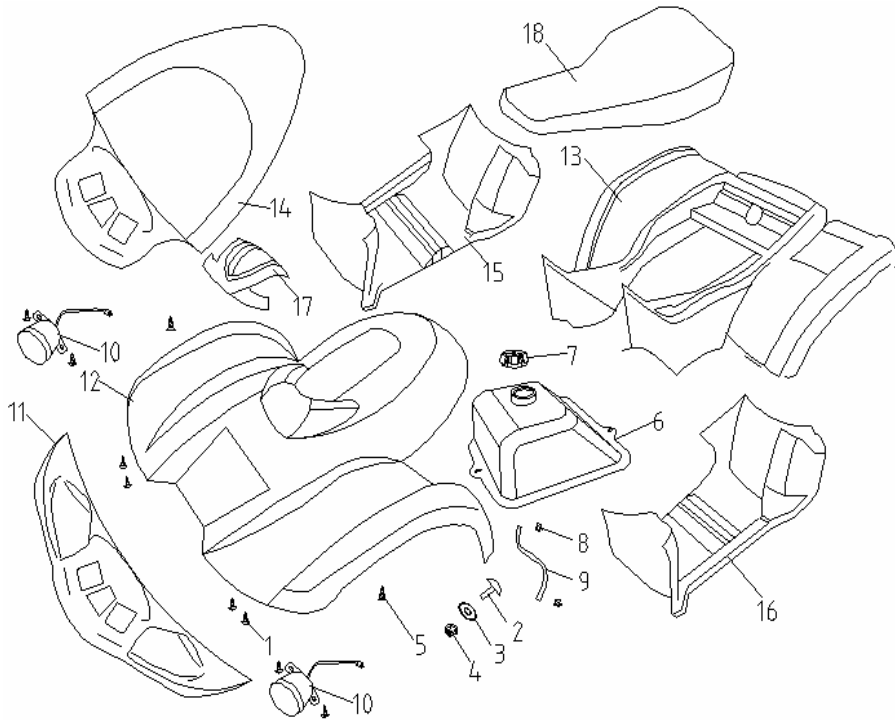
| REF. No. | PART NO. | DESCRIPTION | Q'TY |
|------------|---------------|----------------------|------|
| ATV85-5-1 | MDL131-639000 | Charger (may choose) | 1 |
| ATV85-5-2 | MDL131-634000 | CDI | 1 |
| ATV85-5-3 | 915789-060020 | Bolt | 2 |
| ATV85-5-4 | 915789-060016 | Bolt | 2 |
| ATV85-5-5 | MDL131-636000 | Regulator | 1 |
| ATV85-5-6 | MDL131-632000 | Main Wire | 1 |
| ATV85-5-7 | MDL131-635000 | Relay | 1 |
| ATV85-5-8 | MDL131-637000 | Electrical Switch | 1 |
| ATV85-5-9 | MDL131-631100 | Battery | 1 |
| ATV85-5-10 | MDL131-633000 | Coil | 1 |

6 TYRE



| REF. No. | PART No. | DESCRIPTION | Q'TY |
|------------|---------------|------------------------------|------|
| ATV85-6-1 | 942760-6003Z | Bearing Ball DBL Seal | 4 |
| ATV85-6-2 | MDL131-513200 | Sleeve Bush | 2 |
| ATV85-6-3 | MDL131-523000 | Rear Rim Seat | 2 |
| ATV85-6-4 | MDL131-513100 | Front Rim Seat | 2 |
| ATV85-6-5 | MDL131-511100 | Front Tyre(grain may choose) | 2 |
| ATV85-6-6 | MDL131-511200 | Front Rim | 2 |
| ATV85-6-7 | 989300-200000 | Washer | 2 |
| ATV85-6-8 | 926187-080000 | Flange Lock Nut | 16 |
| ATV85-6-9 | 989710-204804 | Washer | 2 |
| ATV85-6-10 | 929457-202000 | Slotted Nut | 2 |
| ATV85-6-11 | 909100-250025 | Cotter Pin | 2 |
| ATV85-6-12 | MDL131-525000 | Dust Cover | 2 |
| ATV85-6-13 | MDL131-521100 | Rear Tyre(grain may choose) | 2 |
| ATV85-6-14 | MDL131-521200 | Rear Rim | 2 |
| ATV85-6-15 | MDL131-830000 | Tool Kit | 1 |
| ATV85-6-16 | MDL131-840000 | Owners Manual | 1 |

7 FENDER



| REF. No. | PART No. | DESCRIPTION | Q'TY |
|------------|---------------|------------------------------|------|
| ATV85-7-1 | 918450-040012 | Screw | 8 |
| ATV85-7-2 | 908180-060020 | Screw | 12 |
| ATV85-7-3 | MDL131-860618 | Rubber Washer | 12 |
| ATV85-7-4 | 926177-060000 | Nut | 12 |
| ATV85-7-5 | 918460-040013 | Screw | 2 |
| ATV85-7-6 | MDL131-331000 | Gas Tank | 1 |
| ATV85-7-7 | MDL131-331200 | Gas Tank Cap | 1 |
| ATV85-7-8 | MDL131-760085 | Hose Clamp | 2 |
| ATV85-7-9 | MDL131-331100 | Fuel Hose | 1 |
| ATV85-7-10 | MDL131-621000 | Front Head Light(may choose) | 2 |
| ATV85-7-11 | MDL131-721100 | Front Panel | 1 |
| ATV85-7-12 | MDL131-721200 | Front Fender | 1 |
| ATV85-7-13 | MDL131-721300 | Rear Fender | 1 |
| ATV85-7-14 | MDL131-721400 | Upside Panel | 1 |
| ATV85-7-15 | MDL131-721500 | Foot Pedal ® | 1 |
| ATV85-7-16 | MDL131-721600 | Foot Pedal (L) | 1 |
| ATV85-7-17 | MDL131-721700 | Instrument Cap | 1 |
| ATV85-7-18 | MDL131-710000 | Seat | 1 |