

Seaseng Inc.  
2019 Business Parkway  
Ontaris, CA 91761

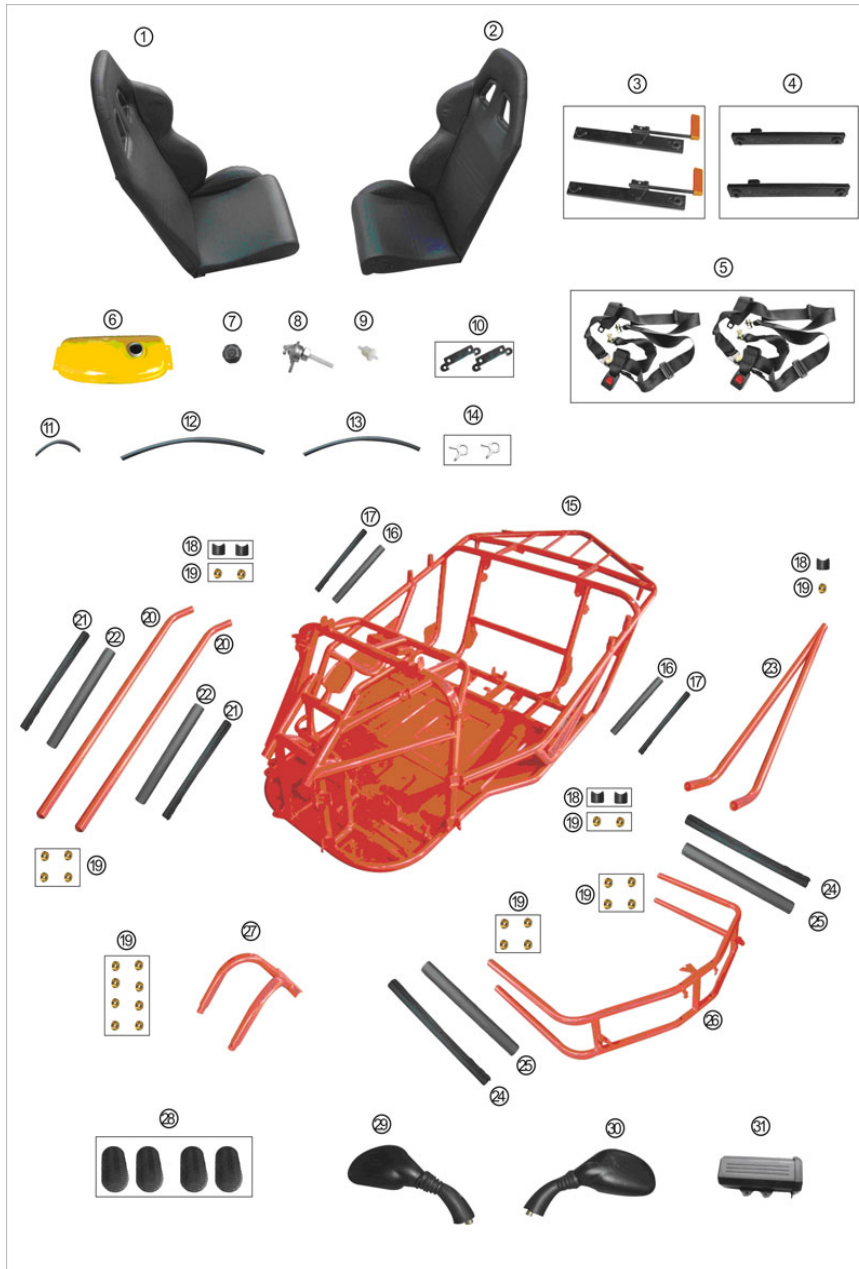
Parts Catalog  
Frame Assembly  
150GKA-2

ATV DIIAGRAM AMNUAL  
PARTS CATALOG



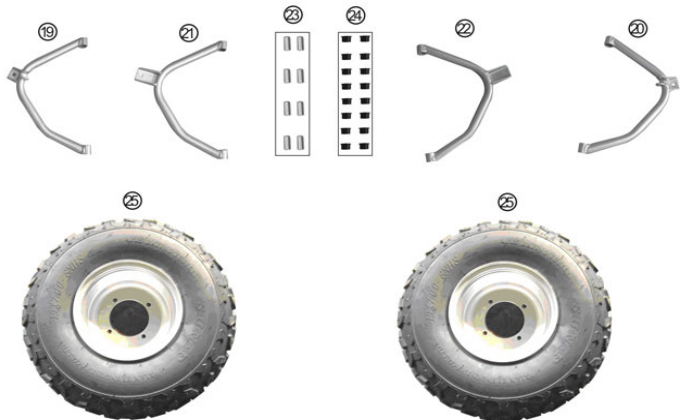
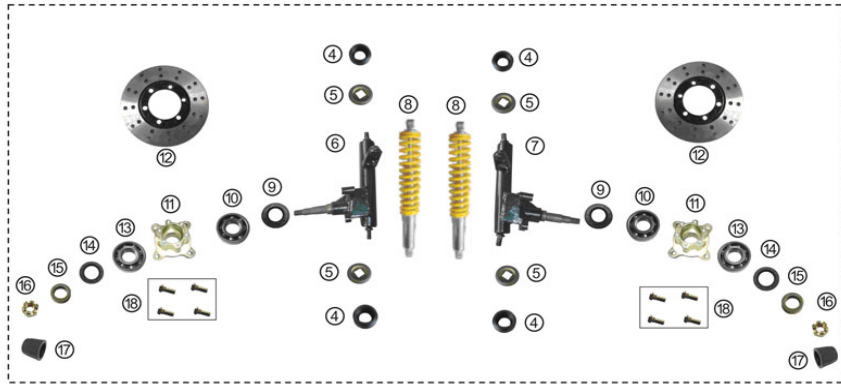
Copyright 2007 Seaseng Inc.

# 1 CHASSIS



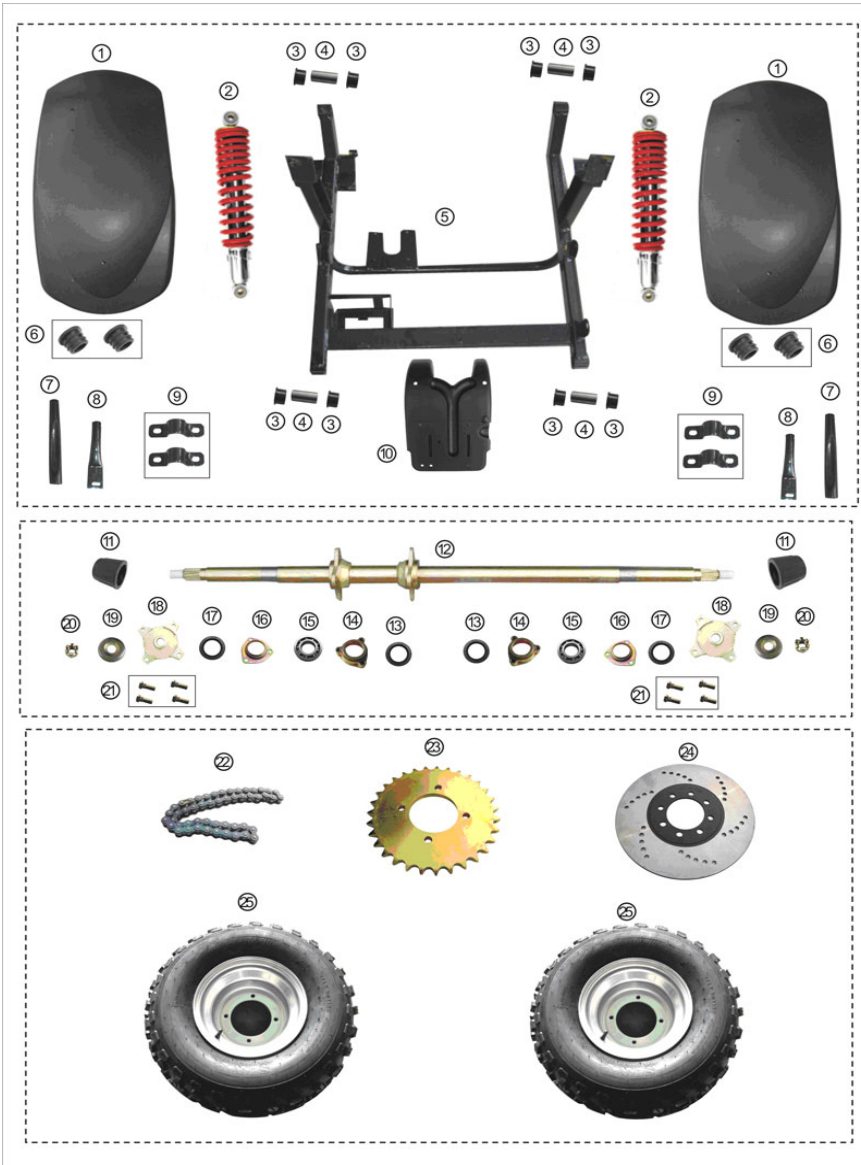
REF. NO.	PART NO.	DESCRIPTION	QTY
150GKA-2-1-1	150GKA24401	driver's seat	1
150GKA-2-1-2	150GKA24402	assistant driver's seat	1
150GKA-2-1-3	150GKA24403	seat rail 1	1
150GKA-2-1-4	150GKA24404	seat rail 2	1
150GKA-2-1-5	150GKA27601	safety belt assembly	2
150GKA-2-1-6	150GKA25001	fuel tank	1
150GKA-2-1-7	150GKA25002	fuel tank cap	1
150GKA-2-1-8	150GKA25003	fuel tank sender unit	1
150GKA-2-1-9	150GKA25004	petrol filter	1
150GKA-2-1-10	150GKA25009	fuel tank bracket	2
150GKA-2-1-11	150GKA25006	oil intake tube (short)	1
150GKA-2-1-12	150GKA25005	oil intake tube (long)	1
150GKA-2-1-13	150GKA25007	vacuum pipe	1
150GKA-2-1-14	150GKA25008	thimble Φ7	6
150GKA-2-1-15	150GKA23001	frame	1
150GKA-2-1-16	150GKA27608	froth pipe 1	2
150GKA-2-1-17	150GKA27611	protecting pipe cloth 1	2
150GKA-2-1-18	150GKA27605	big plastic cover of protecting pole	5
150GKA-2-1-19	150GKA27606	bolt block	25
150GKA-2-1-20	150GKA23002	front protecting pole	2
150GKA-2-1-21	150GKA27612	protecting pipe cloth 2	2
150GKA-2-1-22	150GKA27609	froth pipe 2	2
150GKA-2-1-23	150GKA23004	rear protecting pole	1
150GKA-2-1-24	150GKA27613	protecting pipe cloth 3	2
150GKA-2-1-25	150GKA27610	froth pipe 3	2
150GKA-2-1-26	150GKA23003	middle protecting pole	1
150GKA-2-1-27	150GKA27401	front bumper	1
150GKA-2-1-28	150GKA27607	feet pad	4
150GKA-2-1-29	150GKA27602	rear-view mirror (left)	1
150GKA-2-1-30	150GKA27603	rear-view mirror (right)	1
150GKA-2-1-31	150GKA27604	tool box	1

## 2 FRONT SUSPENSION ASSEMBLY



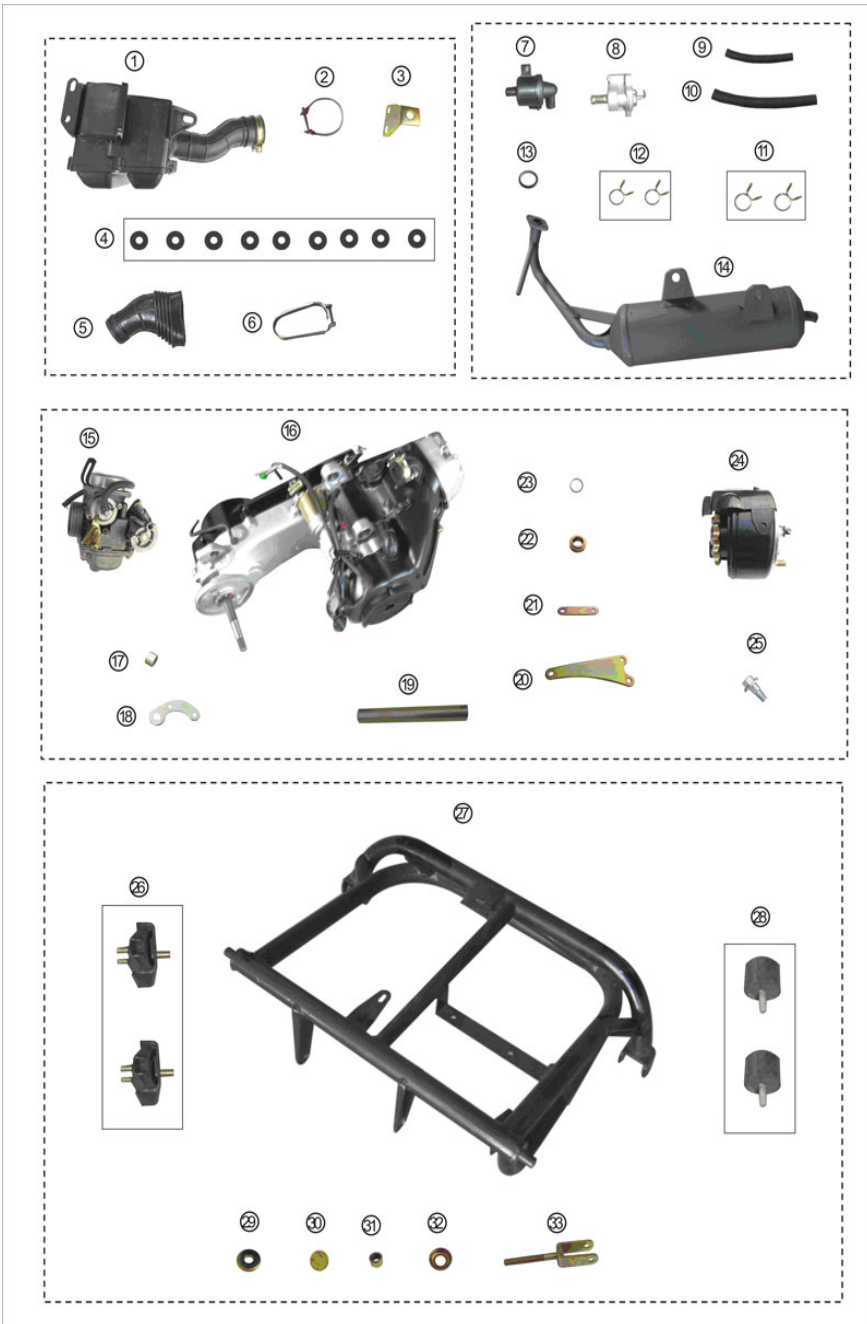
REF. NO.	PART NO.	DESCRIPTION	QTY
150GKA-2-2-1	150GKA24701	front mudguard	2
150GKA-2-2-2	150GKA24702	front left mudguard bracket	1
150GKA-2-2-3	150GKA24703	front right mudguard bracket	1
150GKA-2-2-4	150GKA23303	turning supporting axle dustproof cover	4
150GKA-2-2-5	150GKA23304	turning supporting axle dustproof washer	4
150GKA-2-2-6	150GKA23301	front left turning supporting axle	1
150GKA-2-2-7	150GKA23302	front right turning supporting axle	1
150GKA-2-2-8	150GKA23101	front shock absorber	2
150GKA-2-2-9	150GKA23207	oil seal 25×47×7	2
150GKA-2-2-10	150GKA23206	bearing 6204	2
150GKA-2-2-11	150GKA23202	front hub flange	2
150GKA-2-2-12	150GKA24304	front brake disk	2
150GKA-2-2-13	150GKA23205	bearing 6203	2
150GKA-2-2-14	150GKA23208	oil seal 27×42×7	2
150GKA-2-2-15	150GKA23203	front wheel bearing sheath	2
150GKA-2-2-16	150GKA23305	nut M14×1.5	2
150GKA-2-2-17	150GKA23209	axle rubber dust shroud	2
150GKA-2-2-18	150GKA23204	hub flange bolt	8
150GKA-2-2-19	150GKA23102	front left suspension upper arm	1
150GKA-2-2-20	150GKA23103	front right suspension upper arm	1
150GKA-2-2-21	150GKA23104	front left suspension draft arm	1
150GKA-2-2-22	150GKA23105	front right suspension draft arm	1
150GKA-2-2-23	150GKA23106	front suspension axis pin	8
150GKA-2-2-24	150GKA23107	front suspension arm nylon cover	16
150GKA-2-2-25	150GKA23201	front tyre and steel rim 21×7-10	2

### 3 REAR SUSPENSION ASSEMBLY



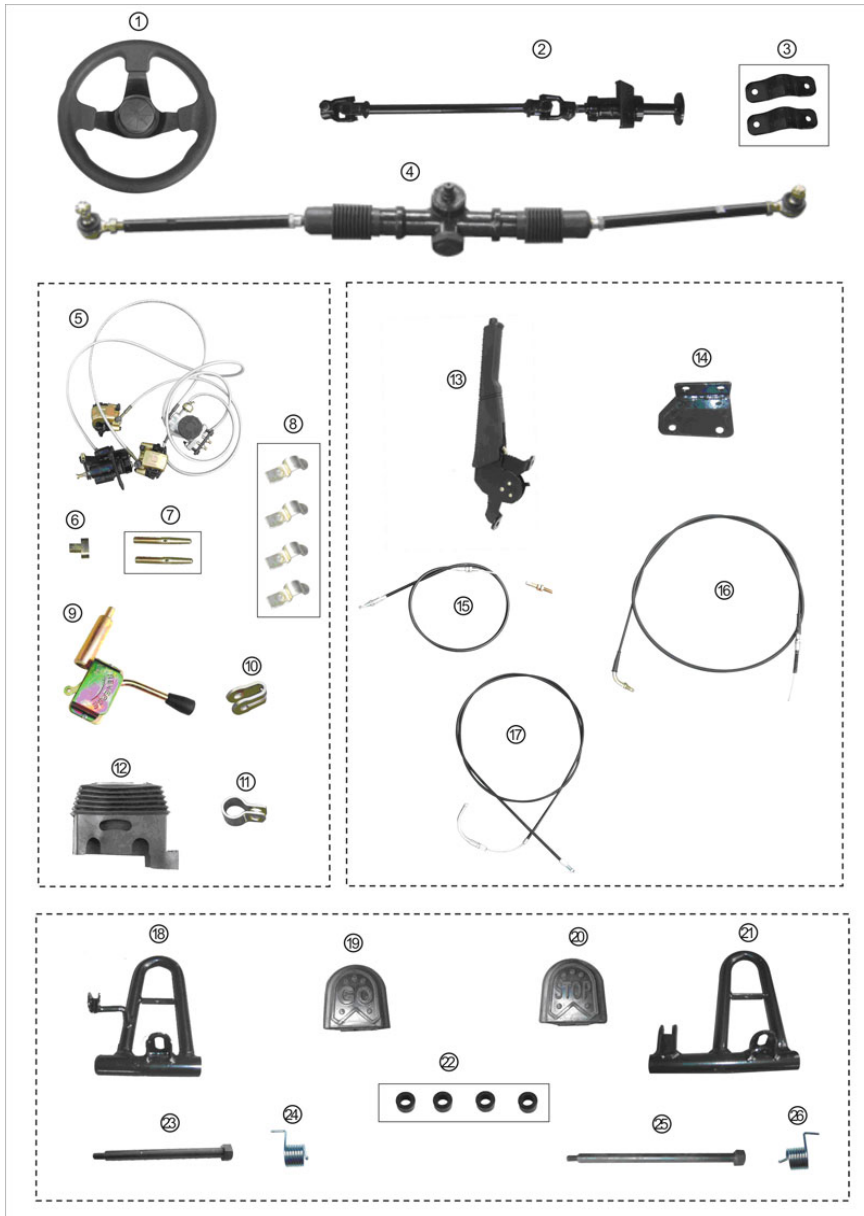
REF. NO.	PART NO.	DESCRIPTION	QTY
150GKA-2-3-1	150GKA24704	rear mudguard	2
150GKA-2-3-2	150GKA23401	rear shock absorber	2
150GKA-2-3-3	150GKA23403	rear suspension lining	8
150GKA-2-3-4	150GKA23404	rear suspension axis pin	4
150GKA-2-3-5	150GKA23402	rear suspension assembly	1
150GKA-2-3-6	150GKA24708	21 stopple rubber	1
150GKA-2-3-7	150GKA24706	rear mudguard installation pipe (rear)	2
150GKA-2-3-8	150GKA24705	rear mudguard installation pipe (front)	2
150GKA-2-3-9	150GKA24707	rear mudguard thimble	4
150GKA-2-3-10	150GKA23410	chain cover	1
150GKA-2-3-11	150GKA23505	axle rubber dust shroud	2
150GKA-2-3-12	150GKA23601	rear axle	1
150GKA-2-3-13	150GKA23409	oil seal 34×50×7	2
150GKA-2-3-14	150GKA23405	rear bearing block	2
150GKA-2-3-15	150GKA23407	bearing 6206	2
150GKA-2-3-16	150GKA23406	rear bearing cover	2
150GKA-2-3-17	150GKA23408	oil seal 30×42×7	2
150GKA-2-3-18	150GKA23502	rear hub flange	2
150GKA-2-3-19	150GKA23504	rear axle dustproof washer	2
150GKA-2-3-20	150GKA23604	nut M16×1.5	2
150GKA-2-3-21	150GKA23503	hub flange bolt	8
150GKA-2-3-22	150GKA23603	chain 530	1
150GKA-2-3-23	150GKA23602	rear axle sprocket wheel 530/31Z	1
150GKA-2-3-24	150GKA24305	rear brake disk	1
150GKA-2-3-25	150GKA23501	rear tyre and steel rim 22×11-10	2

### 4 ENGINE



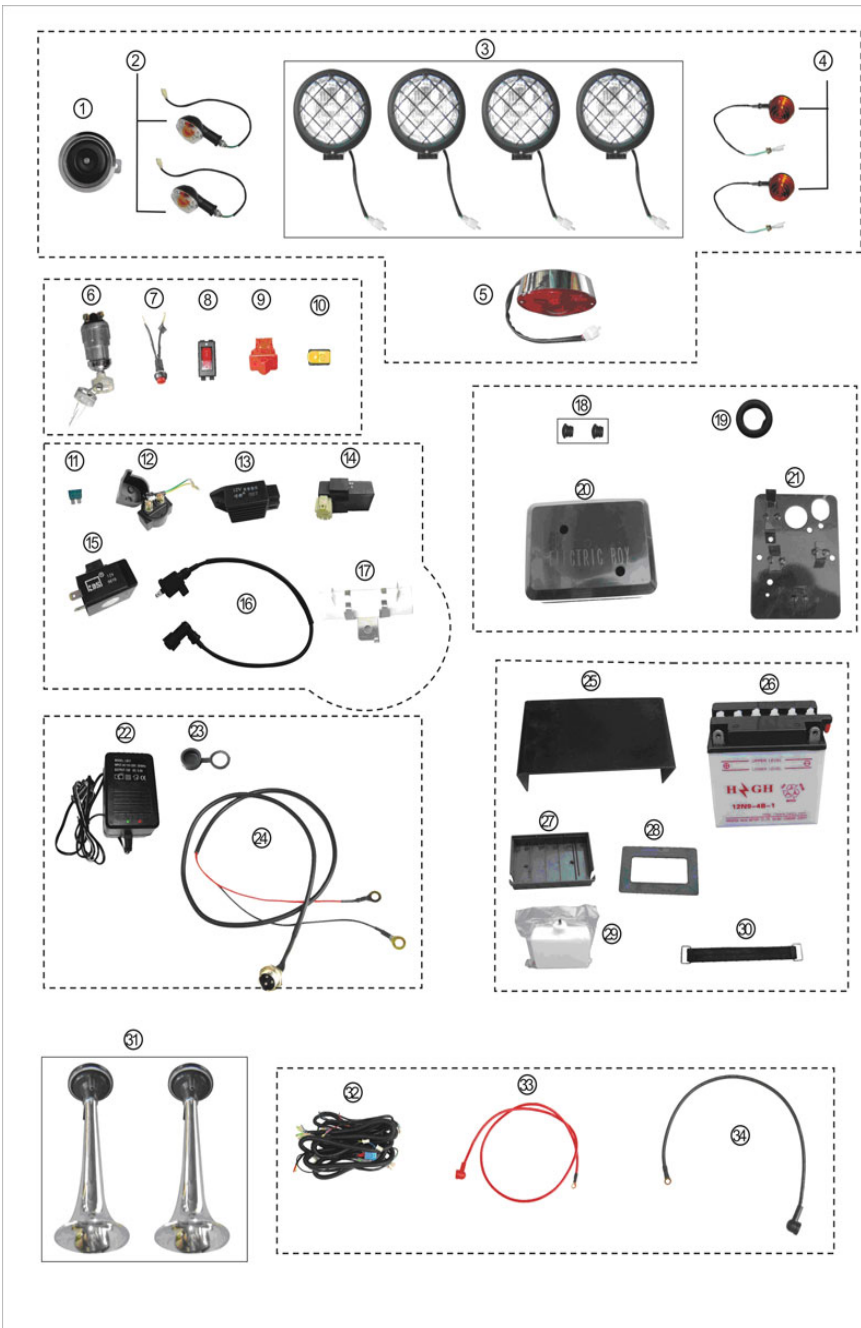
REF. NO.	PART NO.	DESCRIPTION	QTY
150GKA-2-4-1	150GKA21003	air filter assembly	1
150GKA-2-4-2	150GKA21004	air filter thimble	1
150GKA-2-4-3	150GKA21005	air filter rear link board	1
150GKA-2-4-4	150GKA21006	air filter rubber block	9
150GKA-2-4-5	150GKA21007	crankcase bleed pipe joint	1
150GKA-2-4-6	150GKA21008	crankcase bleed pipe joint thimble	1
150GKA-2-4-7	150GKA22203	auxiliary air filter	1
150GKA-2-4-8	150GKA22204	auxiliary air control valve	1
150GKA-2-4-9	150GKA22205	auxiliary air filter rubber hose	1
150GKA-2-4-10	150GKA22206	auxiliary air control valve rubber hose	1
150GKA-2-4-11	150GKA22208	thimble Φ17	2
150GKA-2-4-12	150GKA22207	thimble Φ15	2
150GKA-2-4-13	150GKA22202	exhaust port liner	1
150GKA-2-4-14	150GKA22201	silencer assembly	1
150GKA-2-4-15	150GKA21002	carburetor	1
150GKA-2-4-16	150GKA21001	engine assembly	1
150GKA-2-4-17	150GKA21017	engine strengthen board sheath	1
150GKA-2-4-18	150GKA21016	engine strengthen board	1
150GKA-2-4-19	150GKA21010	engine front fixing sheath	1
150GKA-2-4-20	150GKA23905	reverse gear box support board 1	1
150GKA-2-4-21	150GKA23906	reverse gear box support board 2	1
150GKA-2-4-22	150GKA23702	reverse gear box sheath 1	1
150GKA-2-4-23	150GKA23703	reverse gear box sheath 2	1
150GKA-2-4-24	150GKA23701	reverse gear box assembly	1
150GKA-2-4-25	150GKA23907	reverse gear box support board bolt	1
150GKA-2-4-26	150GKA21018	engine yielding rubber	2
150GKA-2-4-27	150GKA21009	engine assembly	1
150GKA-2-4-28	150GKA21019	rubber limiting stopper	2
150GKA-2-4-29	150GKA21011	engine cushion block	1
150GKA-2-4-30	150GKA21012	engine shock attenuation	1
150GKA-2-4-31	150GKA21013	engine shock attenuation spacer ring	1
150GKA-2-4-32	150GKA21014	engine fixing tile	1
150GKA-2-4-33	150GKA21015	engine hang U-piece	1

### 5 STEERING AND BRAKE ASSEMBLY



REF. NO.	PART NO.	DESCRIPTION	QTY
150GKA-2-5-1	150GKA24001	steering wheel	1
150GKA-2-5-2	150GKA24002	steering shaft	1
150GKA-2-5-3	150GKA24004	redirector thimble	2
150GKA-2-5-4	150GKA24003	steering box	1
150GKA-2-5-5	150GKA24301	hydraulic pressure brake assembly	1
150GKA-2-5-6	150GKA24302	brake master cylinder block	1
150GKA-2-5-7	150GKA24303	brake master cylinder handspike	2
150GKA-2-5-8	150GKA24313	brake oil pipe thimble	4
150GKA-2-5-9	150GKA23901	reverse lever assembly	1
150GKA-2-5-10	150GKA23904	reverse cable U-piece	1
150GKA-2-5-11	150GKA23903	reverse lever limiting hoop	1
150GKA-2-5-12	150GKA23902	reverse lever boot	1
150GKA-2-5-13	150GKA24311	hand brake lever	1
150GKA-2-5-14	150GKA23908	reverse lever fixing board	1
150GKA-2-5-15	150GKA24312	handbrake cable	1
150GKA-2-5-16	150GKA22006	throttle control cable	1
150GKA-2-5-17	150GKA23909	reverse cable	1
150GKA-2-5-18	150GKA22001	accelerator pedal assembly	1
150GKA-2-5-19	150GKA22002	accelerator pedal rubber cover	1
150GKA-2-5-20	150GKA24307	brake pedal rubber cover	1
150GKA-2-5-21	150GKA24306	brake pedal assembly	1
150GKA-2-5-22	150GKA22005	pedal lining	4
150GKA-2-5-23	150GKA22004	accelerator pedal fixing shaft	1
150GKA-2-5-24	150GKA22003	accelerator pedal torsion spring	1
150GKA-2-5-25	150GKA24309	brake pedal fixing shaft	1
150GKA-2-5-26	150GKA24308	brake pedal torsional spring	1

6 ELECTRIC HARDBESS



REF. NO.	PART NO.	DESCRIPTION	QTY
150GKA-2-6-1	150GKA24811	horn	1
150GKA-2-6-2	150GKA24808	front turning signal lamp	2
150GKA-2-6-3	150GKA24807	headlamp	4
150GKA-2-6-4	150GKA24809	rear turning signal lamp	2
150GKA-2-6-5	150GKA24810	brake light	1
150GKA-2-6-6	150GKA24813	ignition lock	1
150GKA-2-6-7	150GKA24814	cutout	1
150GKA-2-6-8	150GKA24816	dip switch	1
150GKA-2-6-9	150GKA24815	turning signal switch	1
150GKA-2-6-10	150GKA24817	horn button	1
150GKA-2-6-11	150GKA24818	fuse	1
150GKA-2-6-12	150GKA24819	starter relay	1
150GKA-2-6-13	150GKA24820	silicon rectifier	1
150GKA-2-6-14	150GKA24821	ignition unit	1
150GKA-2-6-15	150GKA24823	flashing unit	1
150GKA-2-6-16	150GKA24822	high voltage coil	1
150GKA-2-6-17	150GKA24824	resistance	1
150GKA-2-6-18	150GKA24831	12 stopple rubber	2
150GKA-2-6-19	150GKA24830	electrical box board circle	1
150GKA-2-6-20	150GKA24829	electrical box cover	1
150GKA-2-6-21	150GKA24828	electrical box board	1
150GKA-2-6-22	150GKA24825	charger	1
150GKA-2-6-23	150GKA24827	charger plug cover	1
150GKA-2-6-24	150GKA24826	charger plug	1
150GKA-2-6-25	150GKA24834	control panel board	1
150GKA-2-6-26	150GKA24801	battery 12V/9Ah	1
150GKA-2-6-27	150GKA24802	battery cap	1
150GKA-2-6-28	150GKA24803	battery rubber block	1
150GKA-2-6-29	150GKA24805	electrolyte	1
150GKA-2-6-30	150GKA24804	battery tie down belt	1
150GKA-2-6-31	150GKA24812	decorate horn	2
150GKA-2-6-32	150GKA24806	harness assembly	1
150GKA-2-6-33	150GKA24833	starter positive cable	1
150GKA-2-6-34	150GKA24832	starter negative cable	1