

Seaseng Inc.
2019 Business Parkway
Ontaris, CA 91761

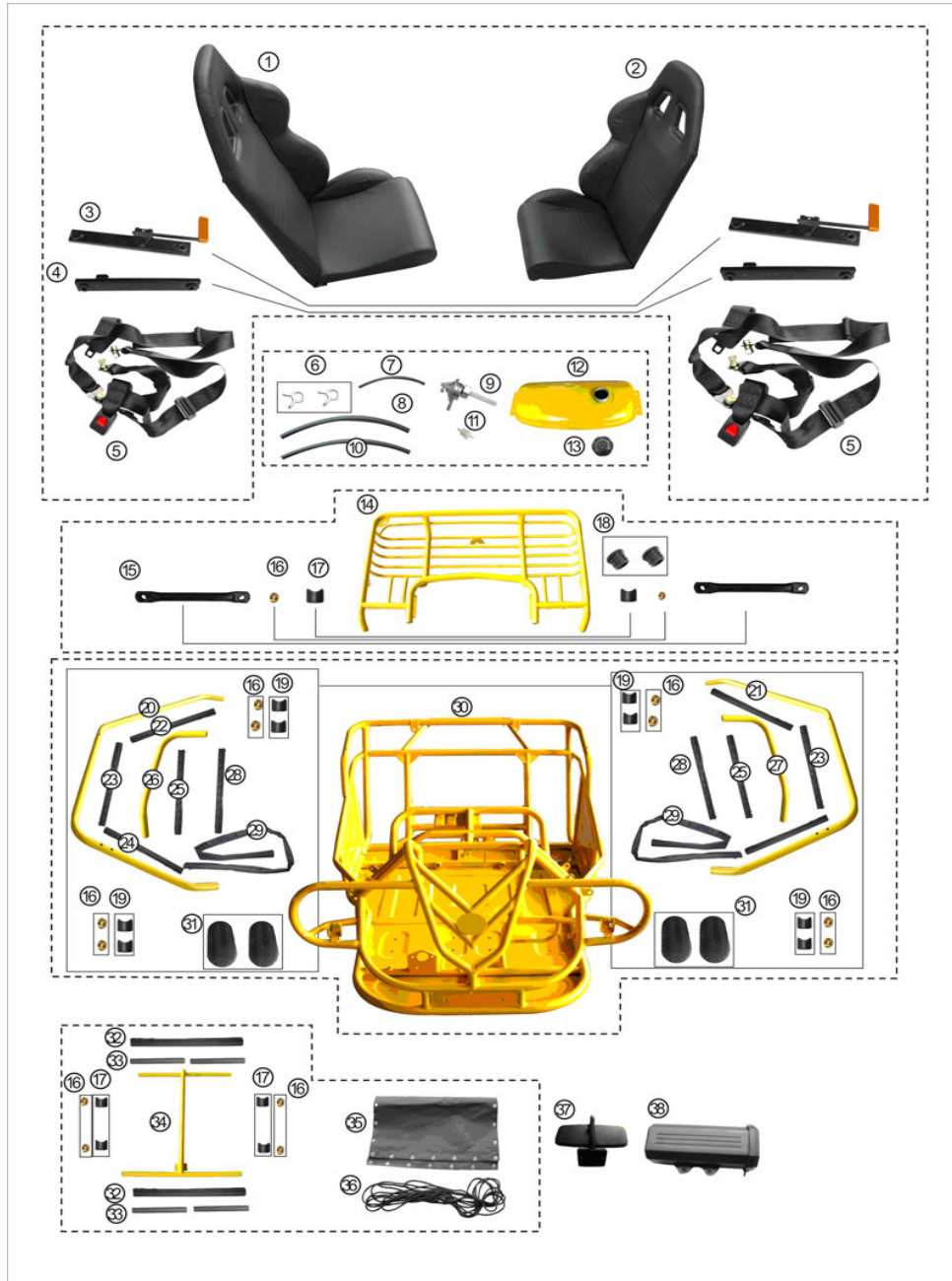
Parts Catalog
Frame Assembly
GK-150FS

ATV DIAGRAM ANNUAL
PARTS CATALOG



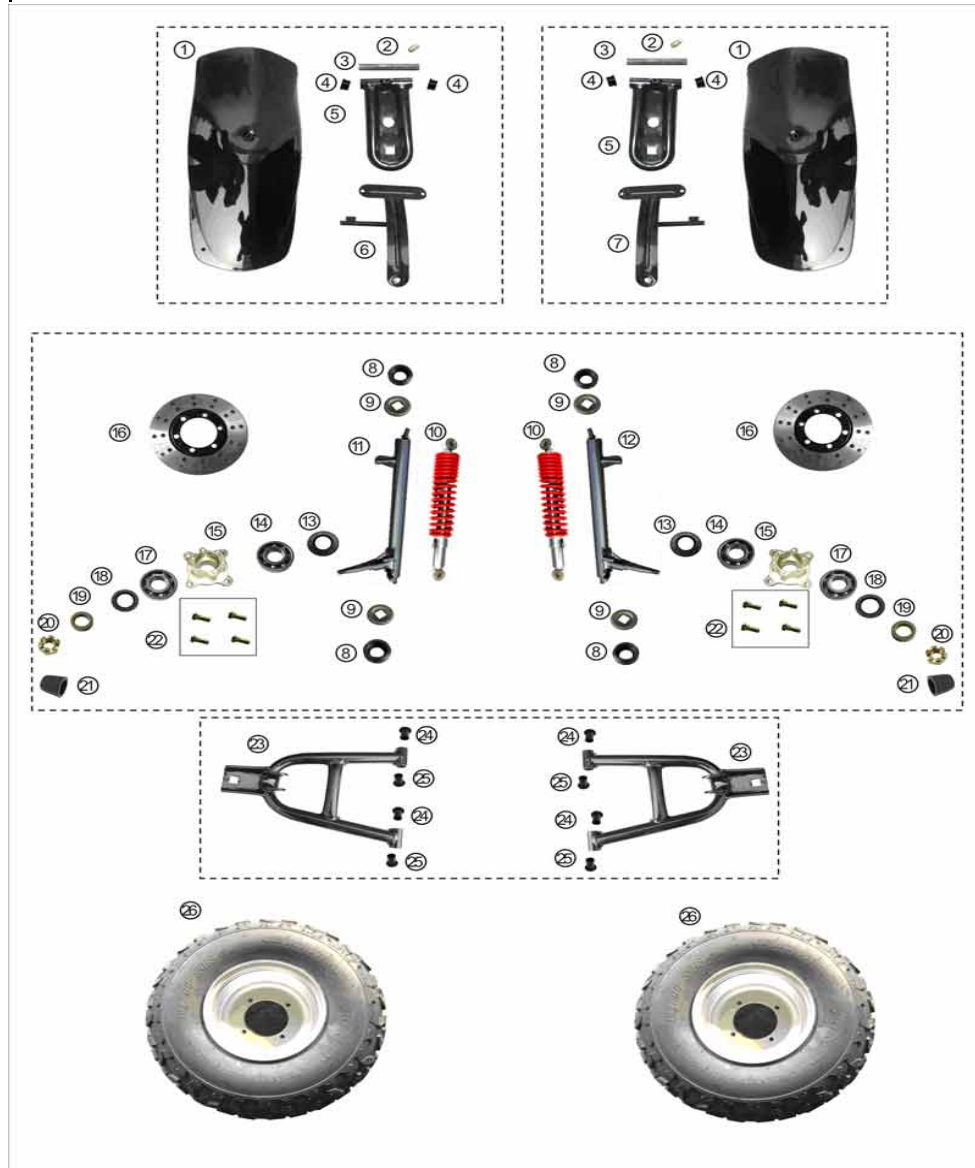
Copyright 2007 Seaseng Inc.

1 CHASSIS



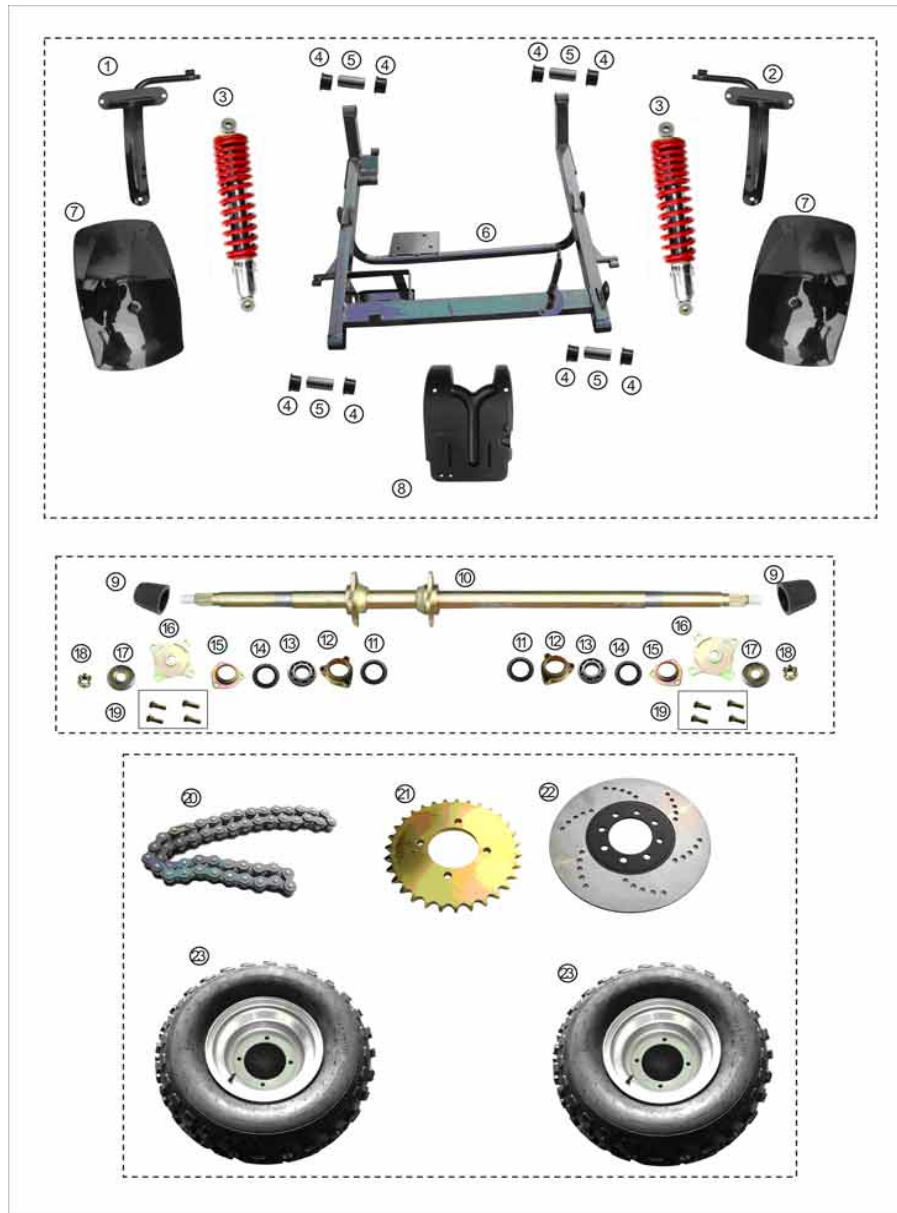
REF. NO.	PART NO.	DESCRIPTION	QTY
150FS-1-1	150FS4401	driver's seat	1
150FS-1-2	150FS4402	assistant driver's seat	1
150FS-1-3	150FS4403	seat rail 1	2
150FS-1-4	150FS4404	seat rail 2	2
150FS-1-5	150FS7601	safety belt assembly	2
150FS-1-6	150FS5008	thimble φ7	6
150FS-1-7	150FS5006	oil intake tube (short)	1
150FS-1-8	150FS5005	oil intake tube (long)	1
150FS-1-9	150FS5003	fuel tank sender unit	1
150FS-1-10	150FS5007	vacuum pipe	1
150FS-1-11	150FS5004	petrol filter	1
150FS-1-12	150FS5001	fuel tank	1
150FS-1-13	150FS5002	fuel tank cap	1
150FS-1-14	150FS7001	rear shelf assembly	1
150FS-1-15	150FS7002	rear shelf knighthead	2
150FS-1-16	150FS7606	bolt block	14
150FS-1-17	150FS7605	min plastic cover of protecting pole	6
150FS-1-18	150FS7003	21 stopple rubber	1
150FS-1-19	150FS7604	big plastic cover of protecting pole	8
150FS-1-20	150FS3003	bend protecting pole (right)	1
150FS-1-21	150FS3002	bend protecting pole (left)	1
150FS-1-22	150FS7608	froth pipe 1	4
150FS-1-23	150FS7609	froth pipe 2	2
150FS-1-24	150FS7610	froth pipe 3	2
150FS-1-25	150FS7611	froth pipe 4	2
150FS-1-26	150FS3005	side protecting pole (right)	1
150FS-1-27	150FS3004	side protecting pole (left)	1
150FS-1-28	150FS7613	protecting pipe cloth 1	2
150FS-1-29	150FS7614	protecting pipe cloth 2	2
150FS-1-30	150FS3001	frame	1
150FS-1-31	150FS7607	feet pad	4
150FS-1-32	150FS7615	protecting pipe cloth 3	2
150FS-1-33	150FS7612	froth pipe 5	2
150FS-1-34	150FS3006	middle strut bar	1
150FS-1-35	150FS7616	canopy cloth	1
150FS-1-36	150FS7617	canopy cloth line	1
150FS-1-37	150FS7602	inner mirror	2
150FS-1-38	150FS7603	tool box	1

2 FRONT SUSPENSION ASSEMBLY



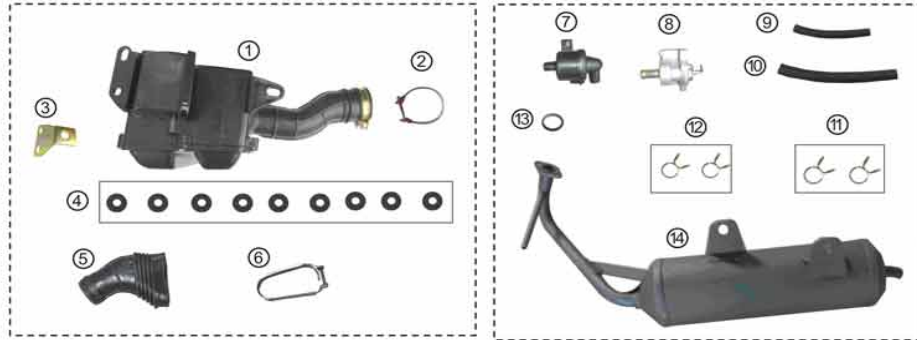
REF. NO.	PART NO.	DESCRIPTION	QTY
150FS-2-1	150FS4701	front mudguard	2
150FS-2-2	150FS3108	grease fitting	6
150FS-2-3	150FS3104	front suspension upper axis pin	2
150FS-2-4	150FS3103	front suspension upper arm nylon cover	4
150FS-2-5	150FS3102	front suspension upper arm	2
150FS-2-6	150FS4703	front right mudguard bracket	1
150FS-2-7	150FS4702	front left mudguard bracket	1
150FS-2-8	150FS3303	turning supporting axle dustproof cover	4
150FS-2-9	150FS3304	turning supporting axle dustproof washer	4
150FS-2-10	150FS3101	front shock absorber	2
150FS-2-11	150FS3302	front right turning supporting axle	1
150FS-2-12	150FS3301	front left turning supporting axle	1
150FS-2-13	150FS3207	oil seal 25×47×7	2
150FS-2-14	150FS3206	bearing 6204	2
150FS-2-15	150FS3202	front hub flange	2
150FS-2-16	150FS4304	front brake disk	2
150FS-2-17	150FS3205	bearing 6203	2
150FS-2-18	150FS3208	oil seal 27×42×7	2
150FS-2-19	150FS3203	front wheel bearing sheath	2
150FS-2-20	150FS3305	nut M14×1.5	2
150FS-2-21	150FS3209	axle rubber dust shroud	2
150FS-2-22	150FS3204	hub flange bolt	8
150FS-2-23	150FS3105	front suspension draft arm	2
150FS-2-24	150FS3106	front suspension draft arm nylon cover	4
150FS-2-25	150FS3107	front suspension draft arm nylon cover	4
150FS-2-26	150FS3201	front tyre and steel rim 19×7-8	2

3 REAR SUSPENSION ASSEMBLY



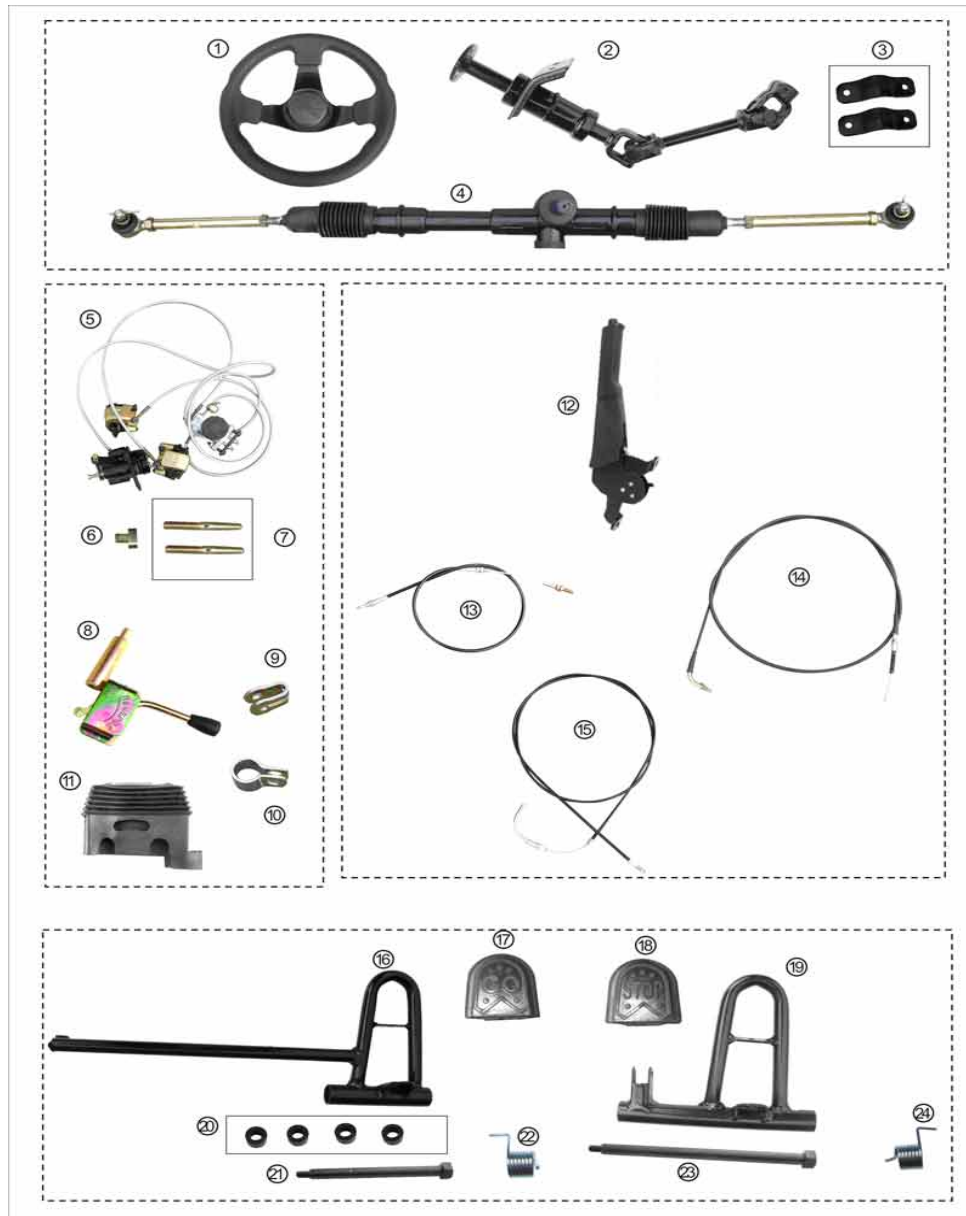
REF. NO.	PART NO.	DESCRIPTION	QTY
150FS-3-1	150FS4706	rear right mudguard bracket	1
150FS-3-2	150FS4705	rear left mudguard bracket	1
150FS-3-3	150FS3401	rear shock absorber	2
150FS-3-4	150FS3403	rear suspension lining	8
150FS-3-5	150FS3404	rear suspension axis pin	4
150FS-3-6	150FS3402	rear suspension assembly	1
150FS-3-7	150FS4704	rear mudguard	2
150FS-3-8	150FS3410	chain cover	1
150FS-3-9	150FS3505	axle rubber dust shroud	2
150FS-3-10	150FS3601	rear axle	1
150FS-3-11	150FS3409	oil seal 34×50×7	2
150FS-3-12	150FS3405	rear bearing block	2
150FS-3-13	150FS3407	bearing 6206	2
150FS-3-14	150FS3408	oil seal 30×42×7	2
150FS-3-15	150FS3406	rear bearing cover	2
150FS-3-16	150FS3502	rear hub flange	2
150FS-3-17	150FS3504	rear axle dustproof washer	2
150FS-3-18	150FS3604	nut M16×1.5	2
150FS-3-19	150FS3503	hub flange bolt	8
150FS-3-20	150FS3603	chain 530	1
150FS-3-21	150FS3602	rear axle sprocket wheel 530/31Z	1
150FS-3-22	150FS4305	rear brake disk	1
150FS-3-23	150FS3501	rear tyre and steel rim 22×11-10	2

4 ENGINE



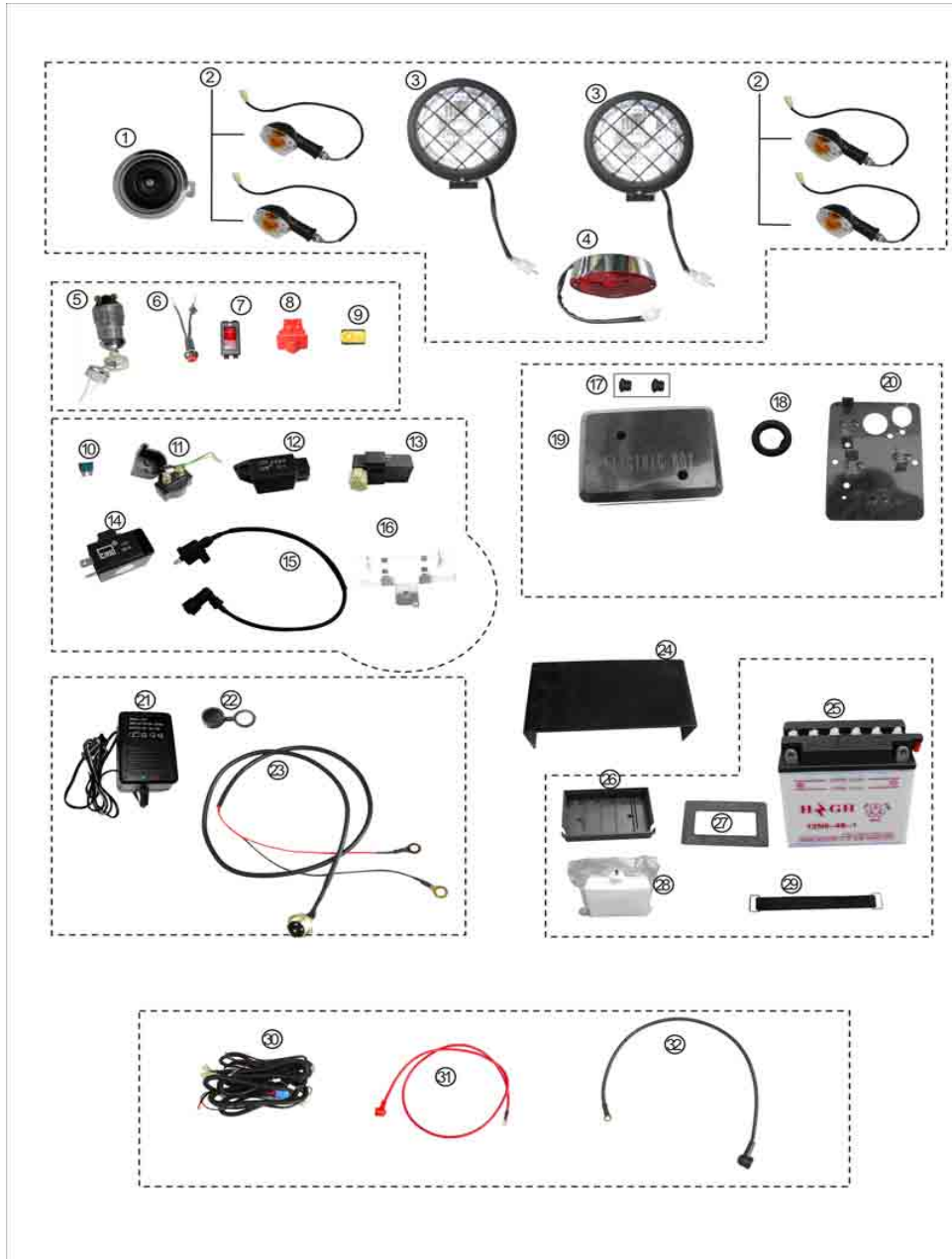
REF. NO.	PART NO.	DESCRIPTION	QTY
150FS-4-1	150FS1003	air filter assembly	1
150FS-4-2	150FS1004	air filter thimble	1
150FS-4-3	150FS1005	air filter rear link board	1
150FS-4-4	150FS1006	air filter rubber block	9
150FS-4-5	150FS1007	crankcase bleed pipe joint	1
150FS-4-6	150FS1008	crankcase bleed pipe joint thimble	1
150FS-4-7	150FS2203	auxiliary air filter	1
150FS-4-8	150FS2204	auxiliary air control valve	1
150FS-4-9	150FS2205	auxiliary air filter rubber hose	1
150FS-4-10	150FS2206	auxiliary air control valve rubber hose	1
150FS-4-11	150FS2207	thimble $\Phi 15$	1
150FS-4-12	150FS2208	thimble $\Phi 17$	1
150FS-4-13	150FS2202	exhaust port liner	1
150FS-4-14	150FS2201	silencer assembly	1
150FS-4-15	150FS1002	carburetor	1
150FS-4-16	150FS1001	engine assembly	1
150FS-4-17	150FS1017	engine strengthen board sheath	1
150FS-4-18	150FS1016	engine strengthen board	1
150FS-4-19	150FS1010	engine front fixing sheath	1
150FS-4-20	150FS3704	reverse gear box support board 1	1
150FS-4-21	150FS3705	reverse gear box support board 2	1
150FS-4-22	150FS3702	reverse gear box sheath 1	1
150FS-4-23	150FS3703	reverse gear box sheath 2	1
150FS-4-24	150FS3701	reverse gear box assembly	1
150FS-4-25	150FS3706	reverse gear box support board bolt	1
150FS-4-26	150FS1020	engine subframe connecting cover	4
150FS-4-27	150FS1019	engine subframe connecting pad	8
150FS-4-28	150FS1018	engine subframe connecting	2
150FS-4-29	150FS1009	engine frame	1
150FS-4-30	150FS1011	engine cushion block	1
150FS-4-31	150FS1012	engine shock attenuation	1
150FS-4-32	150FS1013	engine shock attenuation spacer ring	1
150FS-4-33	150FS1014	engine fixing tile	1
150FS-4-34	150FS1015	engine hang U-piece	1

5 STEERING AND BRAKE ASSEMBLY



REF. NO.	PART NO.	DESCRIPTION	QTY
150FS-5-1	150FS4001	steering wheel	1
150FS-5-2	150FS4002	steering shaft	1
150FS-5-3	150FS4004	redirector thimble	2
150FS-5-4	150FS4003	steering box	1
150FS-5-5	150FS4301	hydraulic pressure brake assembly	1
150FS-5-6	150FS4302	brake master cylinder block	1
150FS-5-7	150FS4303	brake master cylinder handspike	2
150FS-5-8	150FS3901	reverse lever assembly	1
150FS-5-9	150FS3904	reverse cable U-piece	1
150FS-5-10	150FS3903	reverse lever limiting hoop	1
150FS-5-11	150FS3902	reverse lever boot	1
150FS-5-12	150FS4311	hand brake lever	1
150FS-5-13	150FS4312	handbrake cable	1
150FS-5-14	150FS2006	throttle control cable	1
150FS-5-15	150FS3905	reverse cable	1
150FS-5-16	150FS2001	accelerator pedal assembly	1
150FS-5-17	150FS2002	accelerator pedal rubber cover	1
150FS-5-18	150FS4307	brake pedal rubber cover	1
150FS-5-19	150FS4306	brake pedal assembly	1
150FS-5-20	150FS4310	pedal pad	4
150FS-5-21	150FS2004	accelerator pedal fixing shaft	1
150FS-5-22	150FS2003	accelerator pedal torsion spring	1
150FS-5-23	150FS4309	brake pedal fixing shaft	1
150FS-5-24	150FS4308	brake pedal torsional spring	1

6 ELECTRIC HARDBESS



REF. NO.	PART NO.	DESCRIPTION	QTY
150FS-6-1	150FS4810	horn	1
150FS-6-2	150FS4808	turning signal lamp	4
150FS-6-3	150FS4807	headlamp	2
150FS-6-4	150FS4809	brake light	1
150FS-6-5	150FS4811	ignition lock	1
150FS-6-6	150FS4812	cutout	1
150FS-6-7	150FS4813	dip switch	1
150FS-6-8	150FS4814	turning signal switch	1
150FS-6-9	150FS4815	horn button	1
150FS-6-10	150FS4816	fuse	1
150FS-6-11	150FS4817	starter relay	1
150FS-6-12	150FS4818	silicon rectifier	1
150FS-6-13	150FS4819	ignition unit	1
150FS-6-14	150FS4821	flashing unit	1
150FS-6-15	150FS4820	high voltage coil	1
150FS-6-16	150FS4822	resistance	1
150FS-6-17	150FS4829	12 stopple rubber	2
150FS-6-18	150FS4828	electrical box board circle	1
150FS-6-19	150FS4827	electrical box cover	1
150FS-6-20	150FS4826	electrical box board	1
150FS-6-21	150FS4823	charger	1
150FS-6-22	150FS4825	charger plug cover	1
150FS-6-23	150FS4824	charger plug	1
150FS-6-24	150FS4832	control panel board	1
150FS-6-25	150FS4801	battery 12V/9Ah	1
150FS-6-26	150FS4802	battery cap	1
150FS-6-27	150FS4803	battery rubber block	1
150FS-6-28	150FS4805	electrolyte	1
150FS-6-29	150FS4804	battery tie down belt	1
150FS-6-30	150FS4806	harness assembly	1
150FS-6-31	150FS4831	starter positive cable	1
150FS-6-32	150FS4830	starter negative cable	1