

Seaseng Inc.  
2019 Business Parkway  
Ontario, CA 91761

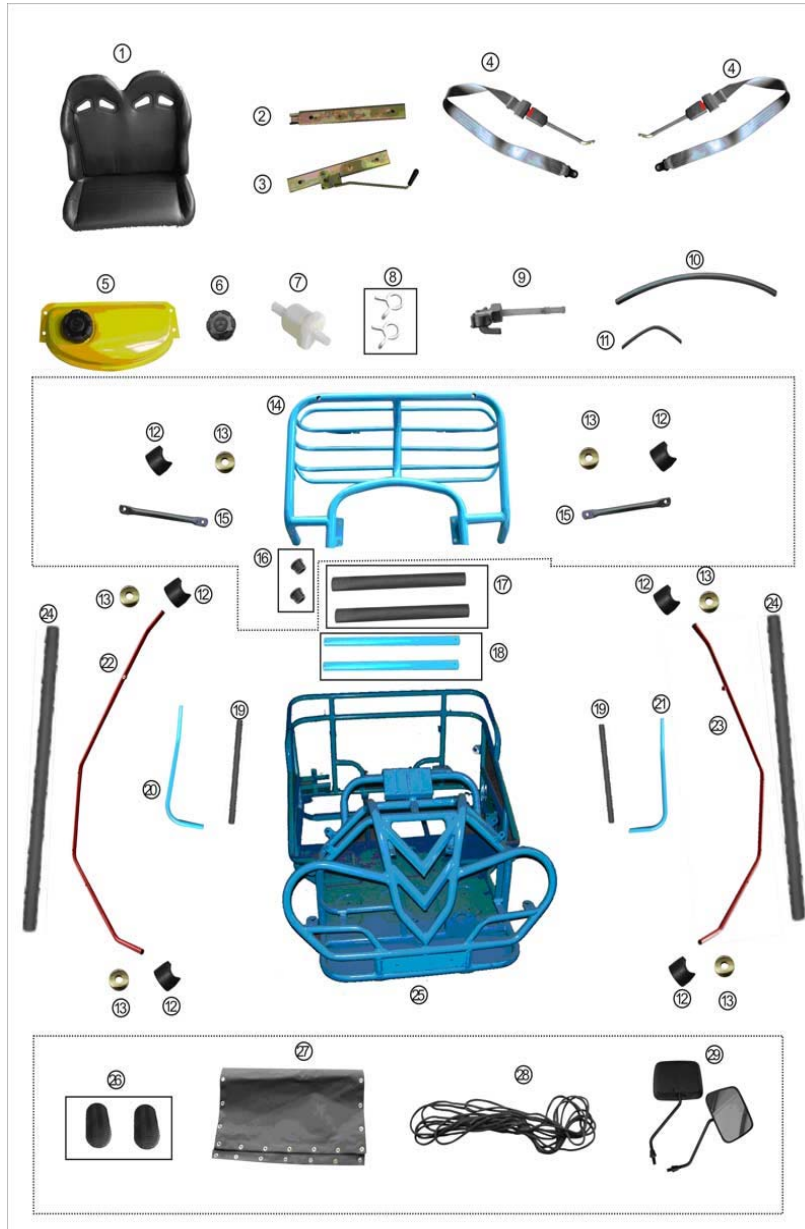
Parts Catalog  
Frame Assembly  
GK110

ATV DIAGRAM ANNUAL  
PARTS CATALOG



Copyright 2007 Seaseng Inc.

# 1 CHASSIS



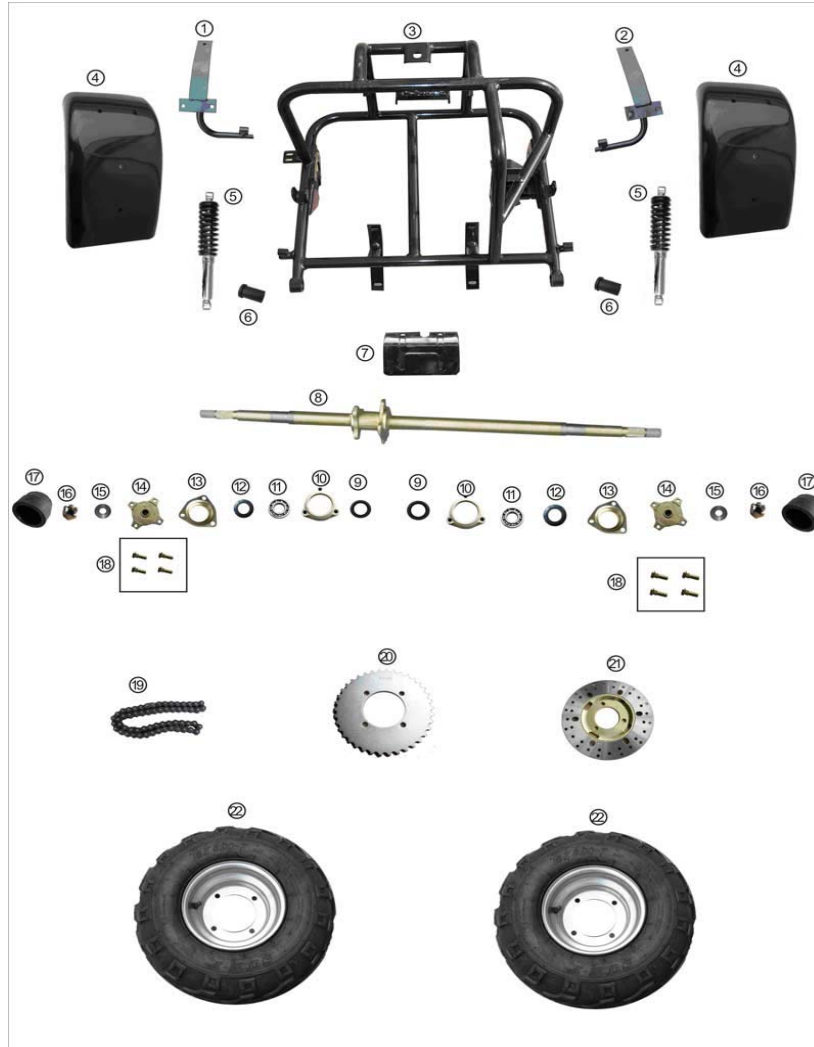
REF. NO.	PART NO.	DESCRIPTION	QTY
GK110-1-1	49FM54401	double-seat	1
GK110-1-2	49FM54403	seat rail 2	1
GK110-1-3	49FM54402	seat rail 1	1
GK110-1-4	49FM57001	safety belt assembly	2
GK110-1-5	49FM55001	fuel tank	1
GK110-1-6	49FM55002	fuel tank cap	1
GK110-1-7	49FM55004	petrol filter	1
GK110-1-8	49FM55007	thimble φ7	2
GK110-1-9	49FM55003	fuel tank sender unit	1
GK110-1-10	49FM55005	oil intake tube (long)	1
GK110-1-11	49FM55006	oil intake tube (long)	1
GK110-1-12	49FM57003	big plastic cover of protecting pole	14
GK110-1-13	49FM57004	bolt block	14
GK110-1-14	49FM57001	rear shelf assembly	1
GK110-1-15	49FM57002	rear shelf knighthead	2
GK110-1-16	49FM57006	21 Stopple rubber	2
GK110-1-17	49FM57007	froth pipe 1	2
GK110-1-18	49FM53006	upper protecting pole	2
GK110-1-19	49FM57008	froth pipe 2	2
GK110-1-20	49FM53004	side protecting pole (left)	1
GK110-1-21	49FM53005	side protecting pole (right)	1
GK110-1-22	49FM53002	bend protecting pole (left)	1
GK110-1-23	49FM53003	bend protecting pole (right)	1
GK110-1-24	49FM57009	froth pipe 3	2
GK110-1-25	49FM53001	frame	1
GK110-1-26	49FM57005	feet pad	4
GK110-1-27	49FM57010	canopy cloth	1
GK110-1-28	49FM57011	canopy cloth line	1
GK110-1-29	49FM57002	rear-view mirror	1

## 2 FRONT SUSPENSION ASSEMBLY



REF. NO.	PART NO.	DESCRIPTION	QTY
GK110-2-1	49FM54701	front and rear mudguard	2
GK110-2-2	49FM53107	grease fitting	2
GK110-2-3	49FM53104	front suspension upper axis pin	2
GK110-2-4	49FM53103	front suspension upper arm nylon cover	4
GK110-2-5	49FM53102	front suspension upper arm	2
GK110-2-6	49FM53301	front left turning supporting axle	1
GK110-2-7	49FM53302	front right turning supporting axle	1
GK110-2-8	49FM53303	turning supporting axle dustproof cover	4
GK110-2-9	49FM53304	turning supporting axle dustproof washer	4
GK110-2-10	49FM53101	front shock absorber	2
GK110-2-11	49FM54702	front left mudguard bracket	1
GK110-2-12	49FM54703	front right mudguard bracket	1
GK110-2-13	49FM53204	bearing 6002Z	4
GK110-2-14	49FM53202	front axle sheath	2
GK110-2-15	49FM53305	nut M10×1	2
GK110-2-16	49FM53203	axle rubber dust shroud	2
GK110-2-17	49FM53106	front suspension draft arm nylon cover	4
GK110-2-18	49FM53105	front suspension draft arm	2
GK110-2-19	49FM53201	front tyre and steel rim 145/70-6	2

### 3 REAR SUSPENSION ASSEMBLY



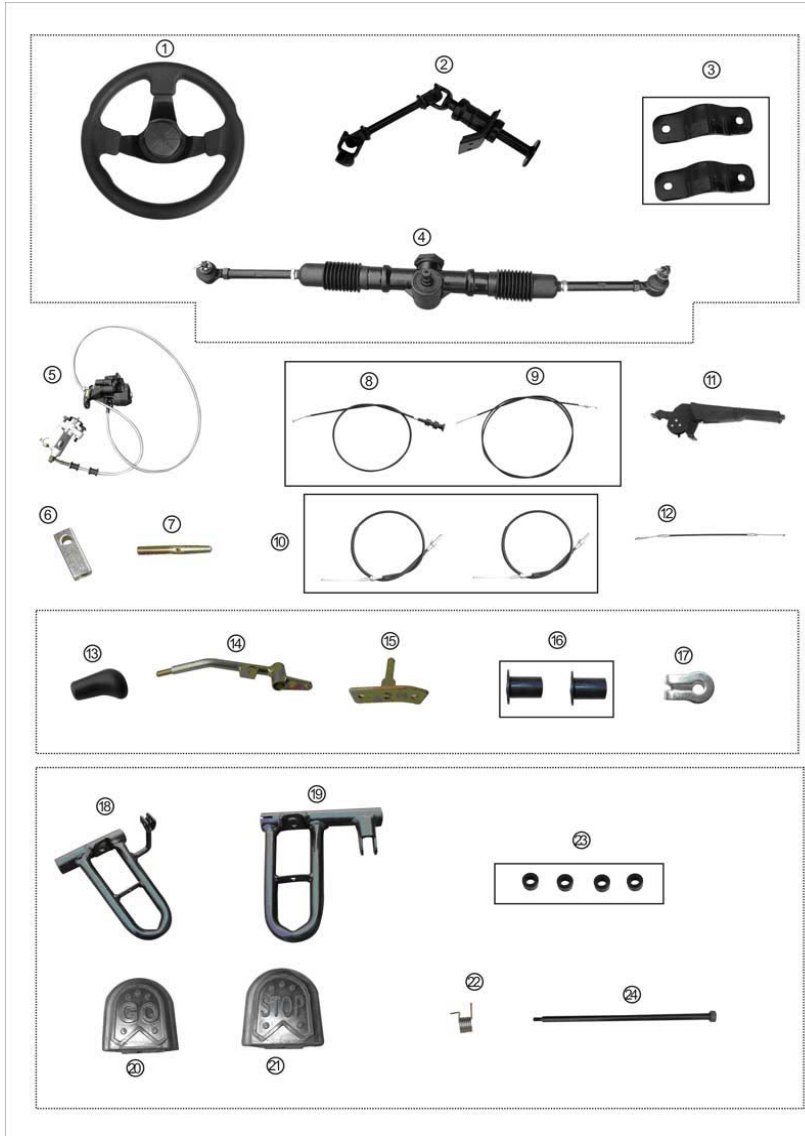
REF. NO.	PART NO.	DESCRIPTION	QTY
GK110-3-1	49FM54704	rear left mudguard bracket	1
GK110-3-2	49FM54705	rear right mudguard bracket	1
GK110-3-3	49FM53402	rear suspension assembly	1
GK110-3-4	49FM54701	front and rear mudguard	4
GK110-3-5	49FM53401	rear shock absorber	2
GK110-3-6	49FM53404	rear suspension rubber cover	2
GK110-3-7	49FM53403	engine aerofoil	1
GK110-3-8	49FM53601	rear axle	1
GK110-3-9	49FM53409	oil seal 28×40×7	2
GK110-3-10	49FM53405	rear bearing block	2
GK110-3-11	49FM53407	bearing 6205	2
GK110-3-12	49FM53408	oil seal 25×40×7	2
GK110-3-13	49FM53406	rear bearing cover	2
GK110-3-14	49FM53502	rear hub flange	2
GK110-3-15	49FM53504	rear axle dustproof washer	2
GK110-3-16	49FM53604	nut M16×1.5	2
GK110-3-17	49FM53505	axle rubber dust shroud	2
GK110-3-18	49FM53503	rear hub flange bolt	8
GK110-3-19	49FM53603	chain 420/60	1
GK110-3-20	49FM53602	rear axle sprocket wheel 420/38Z	1
GK110-3-21	49FM54304	rear brake disk φ180×4	1
GK110-3-22	49FM53501	rear tyre and steel rim 16×8.0-7	2

#### 4 ENGINE



REF. NO.	PART NO.	DESCRIPTION	QTY
GK110-4-1	49FM51005	air filter thimble	1
GK110-4-2	49FM51004	air filter assembly	1
GK110-4-3	49FM51003	carburetor adapter	1
GK110-4-4	49FM51001	engine assembly	1
GK110-4-5	49FM52201	silencer assembly	1
GK110-4-6	49FM52202	exhaust port liner	1
GK110-4-7	49FM51002	carburetor	1
GK110-4-8	49FM52206	auxiliary air control valve	1
GK110-4-9	49FM52205	auxiliary air filter	1
GK110-4-10	49FM52207	auxiliary air control valve pad	1
GK110-4-11	49FM52209	thimble $\Phi 14$	1
GK110-4-12	49FM52210	thimble $\Phi 15$	1
GK110-4-13	49FM52208	auxiliary air filter rubber hose	1
GK110-4-14	49FM51011	engine fixing pole	1
GK110-4-15	49FM53906	shifting fixing board	1
GK110-4-16	49FM52204	silencer fixing board	1
GK110-4-17	49FM52203	silencer rubber block	1
GK110-4-18	49FM51006	engine cushion block	1
GK110-4-19	49FM51007	engine shock attenuation	1
GK110-4-20	49FM51008	engine shock attenuation spacer ring	1
GK110-4-21	49FM51009	engine fixing tile	1
GK110-4-22	49FM51010	engine hang pole	1

## 5 STEERING AND BRAKE ASSEMBLY



REF. NO.	PART NO.	DESCRIPTION	QTY
GK110-5-1	49FM54001	steering wheel	1
GK110-5-2	49FM54002	steering shaft	1
GK110-5-3	49FM54004	redirector thimble	2
GK110-5-4	49FM54003	steering box	1
GK110-5-5	49FM54301	hydraulic pressure brake assembly	1
GK110-5-6	49FM54302	brake master cylinder block	1
GK110-5-7	49FM54303	brake master cylinder handspike	1
GK110-5-8	49FM52007	choke cable	1
GK110-5-9	49FM52006	throttle control cable	1
GK110-5-10	49FM53907	engage a gear cable	2
GK110-5-11	49FM54307	hand brake lever	1
GK110-5-12	49FM54308	handbrake cable	1
GK110-5-13	49FM53902	shifting ball	1
GK110-5-14	49FM53901	shifting handle	1
GK110-5-15	49FM53903	shifting front fixing board	1
GK110-5-16	49FM53904	shifting lever nylon cover	2
GK110-5-17	49FM53905	shifting cable U-piece	4
GK110-5-18	49FM52001	accelerator pedal assembly	1
GK110-5-19	49FM54305	brake pedal assembly	1
GK110-5-20	49FM52002	accelerator pedal rubber cover	1
GK110-5-21	49FM54306	brake pedal rubber cover	1
GK110-5-22	49FM52003	accelerator and brake pedal torsion spring	1
GK110-5-23	49FM52005	pedal pad	4
GK110-5-24	49FM52004	accelerator and brake pedal fixing shaft	1

## 6 ELECTRIC HARDBESS



REF. NO.	PART NO.	DESCRIPTION	QTY
GK110-6-1	49FM54811	horn	1
GK110-6-2	49FM54808	front turning signal lamp	2
GK110-6-3	49FM54807	headlamp	2
GK110-6-4	49FM54809	rear turning signal lamp	2
GK110-6-5	49FM54810	brake light	2
GK110-6-6	49FM54817	fuse	1
GK110-6-7	49FM54818	starter relay	1
GK110-6-8	49FM54819	silicon rectifier	1
GK110-6-9	49FM54820	ignition unit	1
GK110-6-10	49FM54822	flashing unit	1
GK110-6-11	49FM54821	high voltage coil	1
GK110-6-12	49FM54823	transmission display	1
GK110-6-13	49FM54828	electrical box cover	1
GK110-6-14	49FM54829	electrical box board circle	1
GK110-6-15	49FM54827	electrical box	1
GK110-6-16	49FM54812	ignition lock	1
GK110-6-17	49FM54813	cutout	1
GK110-6-18	49FM54814	dip switch	1
GK110-6-19	49FM54815	turning signal switch	1
GK110-6-20	49FM54816	horn button	1
GK110-6-21	49FM54802	battery cap	1
GK110-6-22	49FM54803	battery rubber block	1
GK110-6-23	49FM54801	battery 12V/9Ah	1
GK110-6-24	49FM54805	electrolyte	1
GK110-6-25	49FM54804	battery tie down belt	1
GK110-6-26	49FM54824	charger	1
GK110-6-27	49FM54826	charger plug cover	1
GK110-6-28	49FM54825	charger plug	1
GK110-6-29	49FM54806	harness assembly	1
GK110-6-30	49FM54831	starter positive cable	1
GK110-6-31	49FM54830	starter negative cable	1