

Seaseng Inc.
2019 Business Parkway
Ontaris, CA 91761

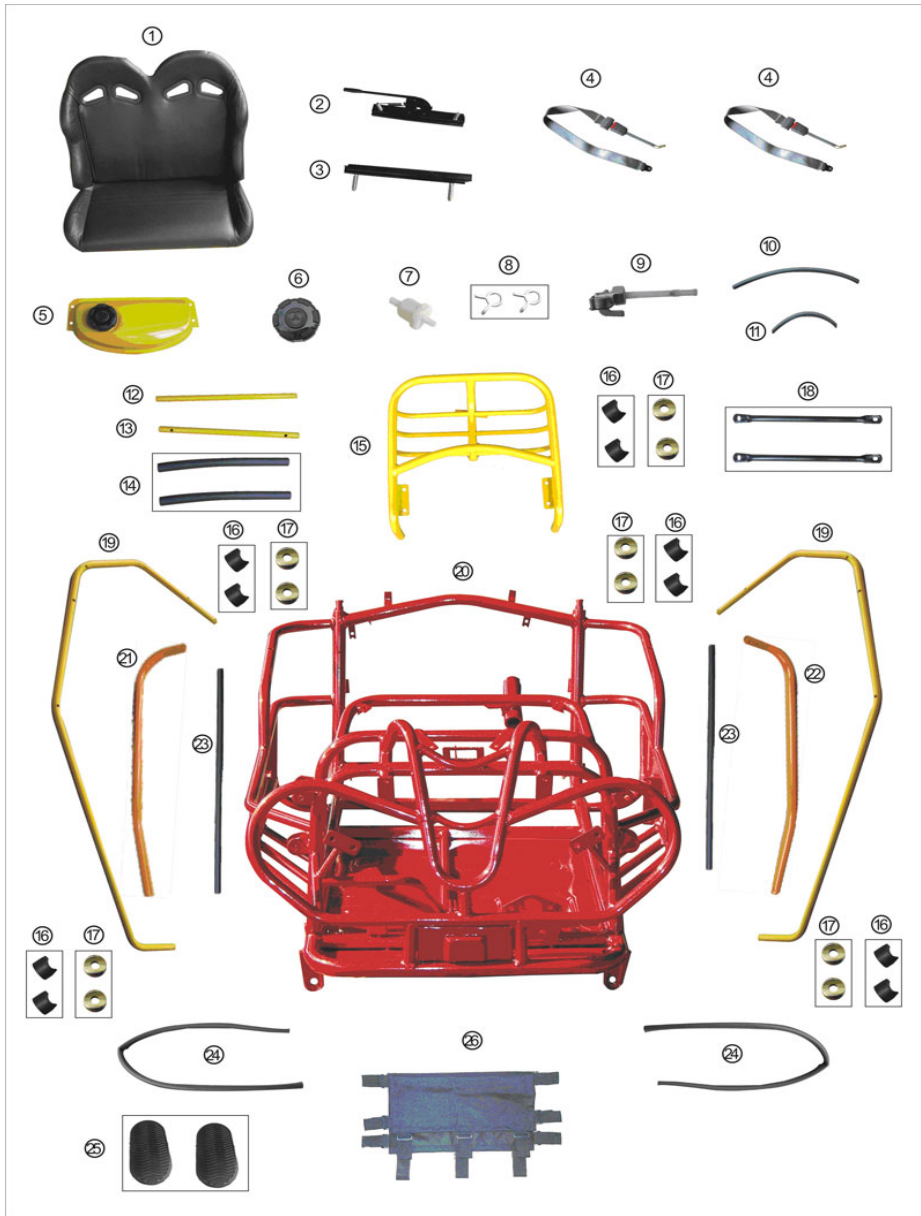
Parts Catalog
Frame Assembly
GK90

ATV DIAGRAM ANNUAL
PARTS CATALOG



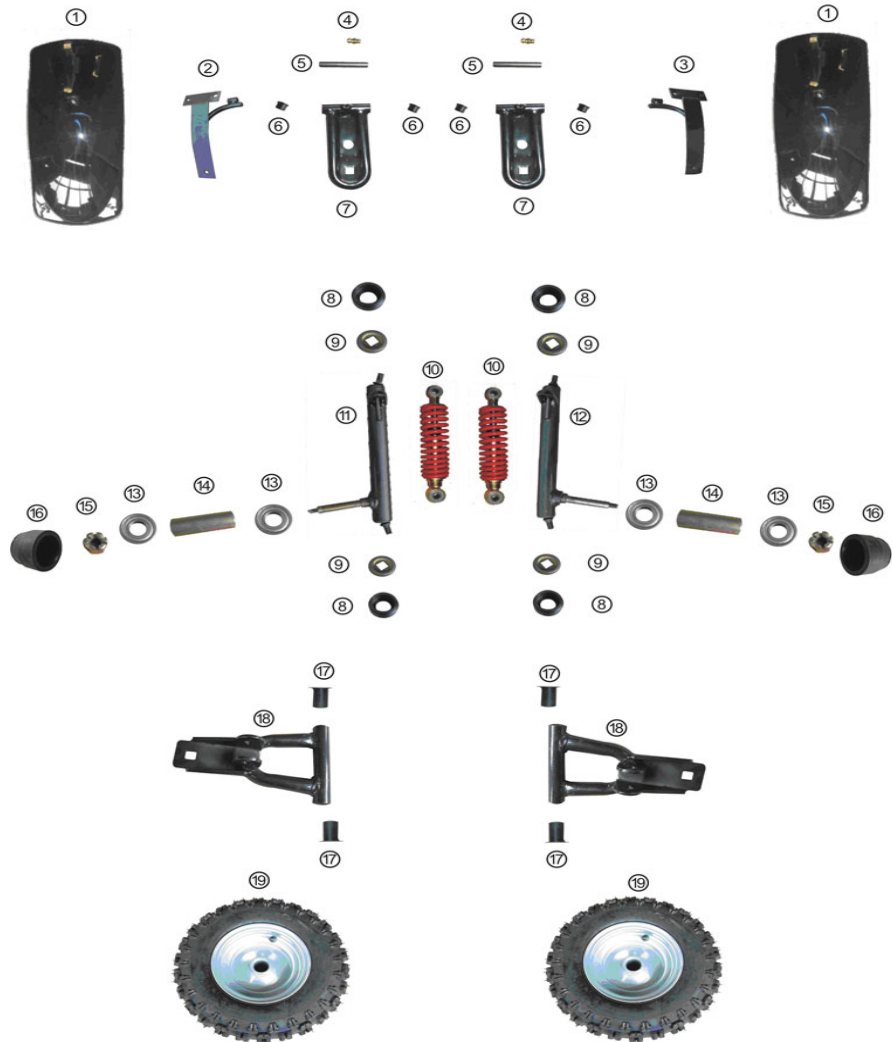
Copyright 2007 Seaseng Inc.

1 CHASSIS



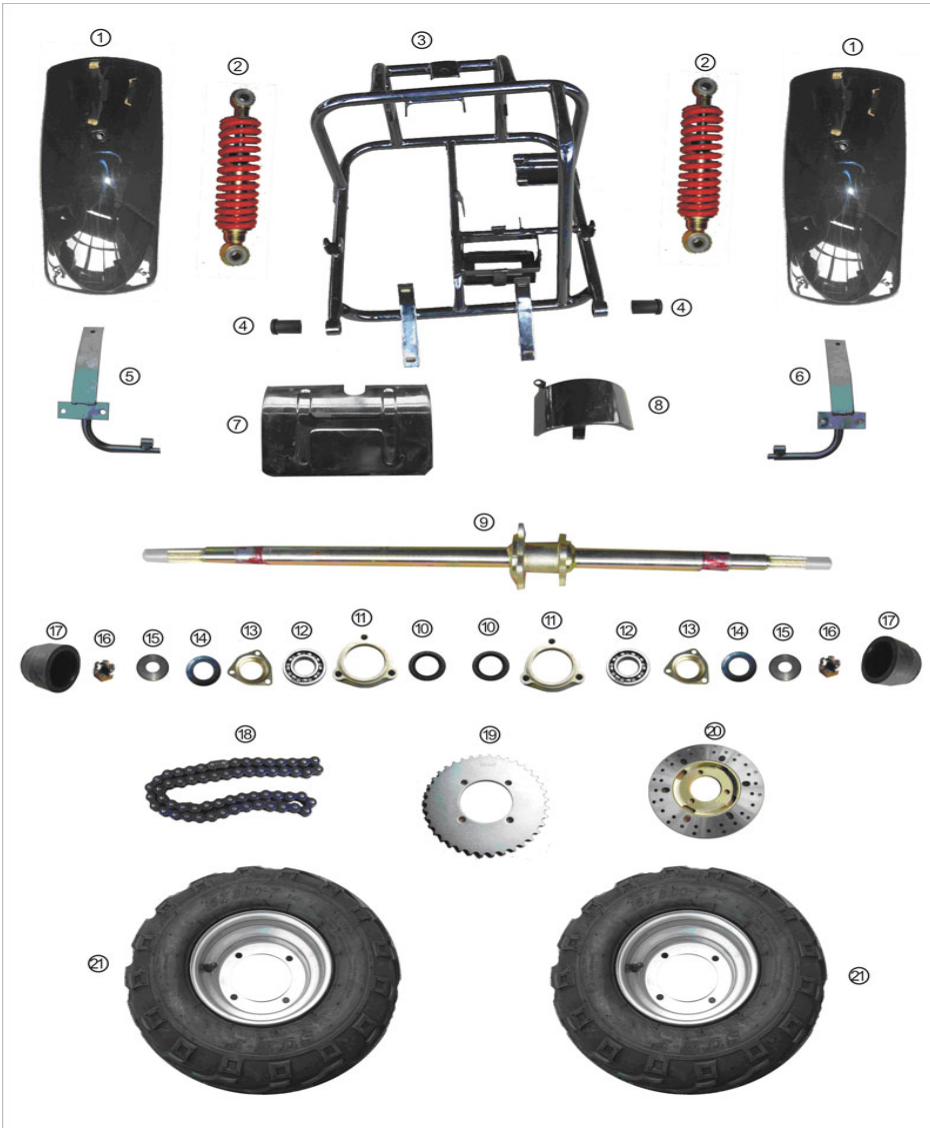
REF. No.	Part NO.	DESCRIPTION	QTY
GK90-1-1	90GKG24401	double-seat	1
GK90-1-2	90GKG24402	seat rail 1	1
GK90-1-3	90GKG24403	seat rail 2	1
GK90-1-4	90GKG27601	safety belt assembly	2
GK90-1-5	90GKG25001	fuel tank	1
GK90-1-6	90GKG25002	fuel tank cap	1
GK90-1-7	90GKG25004	petrol filter	1
GK90-1-8	90GKG25007	thimble $\phi 8$	2
GK90-1-9	90GKG25003	fuel tank sender unit	1
GK90-1-10	90GKG25005	oil intake tube (long)	1
GK90-1-11	90GKG25006	oil intake tube (short)	1
GK90-1-12	90GKG23005	upper protecting pole	2
GK90-1-13	90GKG23006	rear protecting pole	1
GK90-1-14	90GKG27605	froth pipe 1	2
GK90-1-15	90GKG27001	rear shelf assembly	1
GK90-1-16	90GKG27602	min plastic cover of protecting pole	14
GK90-1-17	90GKG27603	bolt block	14
GK90-1-18	90GKG27002	rear shelf knighthead	2
GK90-1-19	90GKG23002	bend protecting pole	2
GK90-1-20	90GKG23001	frame	1
GK90-1-21	90GKG23003	side protecting pole (left)	1
GK90-1-22	90GKG23004	side protecting pole (right)	1
GK90-1-23	90GKG27606	froth pipe 2	2
GK90-1-24	90GKG27607	froth pipe 3	2
GK90-1-25	90GKG27604	feet pad	2
GK90-1-26	90GKG27608	canopy cloth	1

2 FRONT SUSPENSION ASSEMBLY



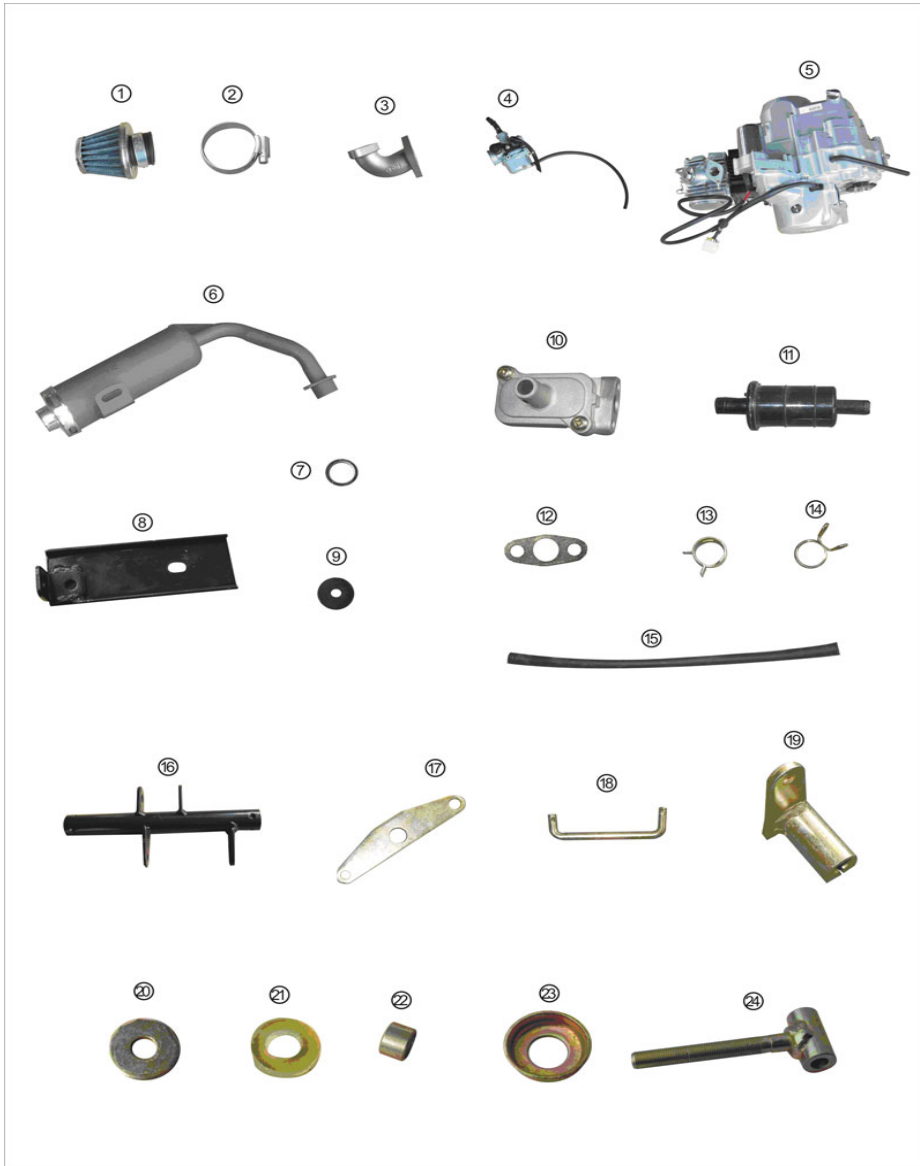
REF. No.	Part NO.	DESCRIPTION	QTY
GK90-2-1	90GKG24701	front and rear mudguard	2
GK90-2-2	90GKG24702	front left mudguard bracket	1
GK90-2-3	90GKG24703	front right mudguard bracket	1
GK90-2-4	90GKG23107	grease fitting	2
GK90-2-5	90GKG23104	front suspension upper axis pin	2
GK90-2-6	90GKG23103	front suspension upper arm nylon cover	4
GK90-2-7	90GKG23102	front suspension upper arm	2
GK90-2-8	90GKG23303	turning supporting axle dustproof cover	4
GK90-2-9	90GKG23304	turning supporting axle dustproof washer	4
GK90-2-10	90GKG23101	front and rear shock absorber	2
GK90-2-11	90GKG23301	front left turning supporting axle	1
GK90-2-12	90GKG23302	front right turning supporting axle	1
GK90-2-13	90GKG23204	bearing 6002Z	4
GK90-2-14	90GKG23202	front axle sheath	2
GK90-2-15	90GKG23305	nut M10×1	2
GK90-2-16	90GKG23203	axle rubber dust shroud	2
GK90-2-17	90GKG23106	front suspension draft arm nylon cover	4
GK90-2-18	90GKG23105	front suspension draft arm	2
GK90-2-19	90GKG23201	front tyre and steel rim 13×5.00-6	2

3 REAR SUSPENSION ASSEMBLY



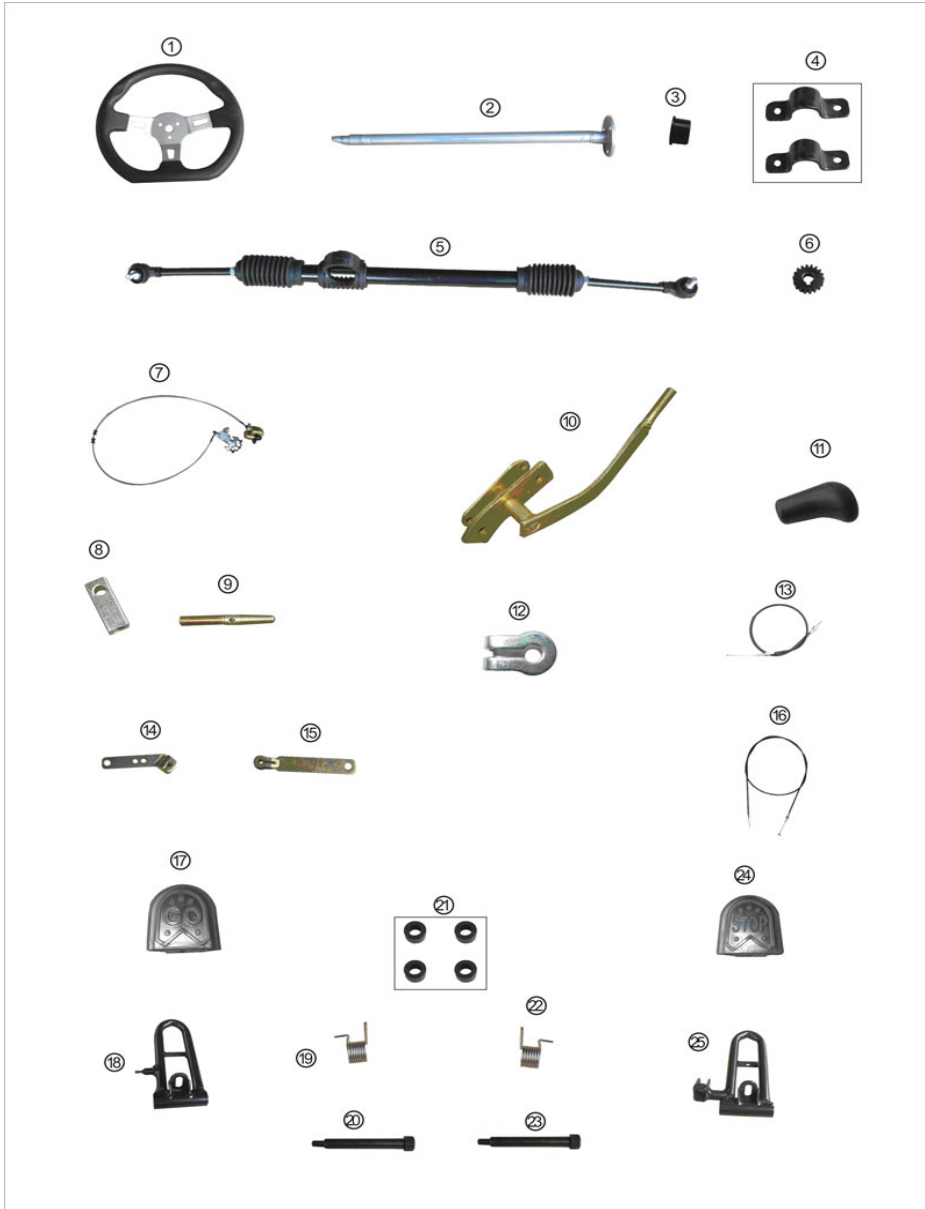
REF. No.	Part NO.	DESCRIPTION	QTY
GK90-3-1	90GKG24701	front and rear mudguard	2
GK90-3-2	90GKG23401	front and rear shock absorber	2
GK90-3-3	90GKG23402	rear suspension assembly	1
GK90-3-4	90GKG23404	rear suspension rubber cover	2
GK90-3-5	90GKG24704	rear left mudguard bracket	1
GK90-3-6	90GKG24705	rear right mudguard bracket	1
GK90-3-7	90GKG23403	engine aerofoil	1
GK90-3-8	90GKG23407	chain cover	1
GK90-3-9	90GKG23601	rear axle	1
GK90-3-10	90GKG23410	oil seal 28×40×7	2
GK90-3-11	90GKG23405	rear bearing block	2
GK90-3-12	90GKG23408	bearing 6205	2
GK90-3-13	90GKG23406	rear bearing cover	2
GK90-3-14	90GKG23409	oil seal 25×40×7	2
GK90-3-15	90GKG23502	rear axle dustproof washer	2
GK90-3-16	90GKG23604	nut M16×1.5	2
GK90-3-17	90GKG23503	axle rubber dust shroud	2
GK90-3-18	90GKG23603	chain 420/60节	1
GK90-3-19	90GKG23602	rear axle sprocket wheel 420/38Z	1
GK90-3-20	90GKG24304	rear brake disk 4×φ180	1
GK90-3-21	90GKG23501	rear tyre and steel rim 145/70-6	2

4 ENGINE



REF. No.	Part NO.	DESCRIPTION	QTY
GK90-4-1	90GKG21004	air filter assembly	1
GK90-4-2	90GKG21005	air filter thimble	1
GK90-4-3	90GKG21003	carburetor adapter	1
GK90-4-4	90GKG21002	carburetor	1
GK90-4-5	90GKG21001	silencer rubber block	1
GK90-4-6	90GKG22201	silencer assembly	1
GK90-4-7	90GKG22202	exhaust port liner	1
GK90-4-8	90GKG22204	silencer fixing board	1
GK90-4-9	90GKG22203	silencer rubber block	1
GK90-4-10	90GKG22206	auxiliary air control valve	1
GK90-4-11	90GKG22205	auxiliary air filter	1
GK90-4-12	90GKG22207	auxiliary air control valve pad	1
GK90-4-13	90GKG22209	thimble Φ14	1
GK90-4-14	90GKG22210	thimble Φ15	1
GK90-4-15	90GKG22208	auxiliary air filter rubber hose	1
GK90-4-16	90GKG21011	engine fixing pole	1
GK90-4-17	90GKG23904	shifting lever middle rocker	1
GK90-4-18	90GKG23905	shifting pull pole	1
GK90-4-19	90GKG23906	shifting fixing board	1
GK90-4-20	90GKG21006	engine cushion block	1
GK90-4-21	90GKG21007	engine shock attenuation	1
GK90-4-22	90GKG21008	engine shock attenuation spacer ring	1
GK90-4-23	90GKG21009	engine fixing tile	1
GK90-4-24	90GKG21010	engine hang pole	1

5 STEERING AND BRAKE ASSEMBLY



REF. No.	Part NO.	DESCRIPTION	QTY
GK90-5-1	90GKG24001	steering wheel	1
GK90-5-2	90GKG24002	steering shaft	1
GK90-5-3	90GKG24003	steering shaft lining	1
GK90-5-4	90GKG24006	redirector thimble	2
GK90-5-5	90GKG24004	steering box	1
GK90-5-6	90GKG24005	steering box gear	1
GK90-5-7	90GKG24301	hydraulic pressure brake assembly	1
GK90-5-8	90GKG24302	brake master cylinder block	1
GK90-5-9	90GKG24303	brake master cylinder handspike	1
GK90-5-10	90GKG23901	shifting handle	1
GK90-5-11	90GKG23902	shifting ball	1
GK90-5-12	90GKG23903	shifting cable U-piece	4
GK90-5-13	90GKG23907	engage a gear cable	2
GK90-5-14	90GKG22007	accelerator pull board	1
GK90-5-15	90GKG22008	accelerator push board	1
GK90-5-16	90GKG22006	throttle control cable	1
GK90-5-17	90GKG22002	accelerator pedal rubber cover	1
GK90-5-18	90GKG22001	accelerator pedal assembly	1
GK90-5-19	90GKG22003	accelerator pedal torsion spring	1
GK90-5-20	90GKG22004	accelerator pedal fixing shaft	1
GK90-5-21	90GKG22005	pedal lining	4
GK90-5-22	90GKG24307	brake pedal torsion spring	1
GK90-5-23	90GKG24308	brake pedal fixing shaft	1
GK90-5-24	90GKG24306	brake pedal rubber cover	1
GK90-5-25	90GKG24305	brake pedal assembly	1

6 ELECTRIC HARDNESS



REF. No.	Part NO.	DESCRIPTION	QTY
GK90-6-1	90GKG24811	horn	1
GK90-6-2	90GKG24809	headlamp	2
GK90-6-3	90GKG24808	headlamp installation bracket	2
GK90-6-4	90GKG24810	brake light	1
GK90-6-5	90GKG24814	dip switch	1
GK90-6-6	90GKG24815	horn button	1
GK90-6-7	90GKG24813	cutout	1
GK90-6-8	90GKG24812	ignition lock	1
GK90-6-9	90GKG24807	instrument panel assembly	1
GK90-6-10	90GKG24816	fuse	1
GK90-6-11	90GKG24817	starter relay	1
GK90-6-12	90GKG24818	silicon rectifier	1
GK90-6-13	90GKG24819	ignition unit	1
GK90-6-14	90GKG24821	flashing unit	1
GK90-6-15	90GKG24820	high voltage coil	1
GK90-6-16	90GKG24802	battery cap	1
GK90-6-17	90GKG24803	battery rubber block	1
GK90-6-18	90GKG24801	battery 12/9Ah	1
GK90-6-19	90GKG24805	electrolyte	1
GK90-6-20	90GKG24804	battery tie down belt	1
GK90-6-21	90GKG24828	siren	1
GK90-6-22	90GKG24827	telecontrol	1
GK90-6-23	90GKG24822	charger	1
GK90-6-24	90GKG24823	charger plug	1
GK90-6-25	90GKG24824	charger plug cover	1
GK90-6-26	90GKG24806	harness assembly	1
GK90-6-27	90GKG24826	starter positive cable	1
GK90-6-28	90GKG24825	starter negative cable	1